



E·MC GROUP

Automation Factory:
Zhejiang Eternal Automation Sci-Tec Co., Ltd.
Fenghua Industry Zone, Ningbo, China
E-mail: emcsales@emc-machinery.com

Pneumatic Factory:
Ningbo Guanghua Pneumatic Industry Co., Ltd.
Xikou Industry Zone, Ningbo, China
E-mail: pneumatic@emc-machinery.com

Hydraulic Factory:
Ningbo Eternal Hydraulic Engineering Co., Ltd.
Xikou Industry Zone, Ningbo, China
E-mail: hydraulic@emc-machinery.com



E. MC Business Center:
22nd Floor, AUX Central Building,
No.757 Rili Road, Yinzhou District,
Ningbo, 315000, China

Tel : 0086-574-27664666 27664667
27664668 27664669
Fax : 0086-574-27890071

www.emc-machinery.com



Pneumatics. Hydraulics. Automation System&Solution

2012-I   



E·MC[®]

Global Automation Management Platform

Marketing Channels. Service Network. Automation Solution

The E·MC Hydraulics

—The maximum benefits hydraulic service provider

Quality control . Competitive prices. All Chinese hydraulic resources Integration



Voices from E.MC global industry customers:



The communication with more than 30 suppliers once made me exhausted every day, but all these are solved with E.MC big platform of full range industry products!

—An industrial dealer in Russia



In many times, the big gage of different suppliers make me very crazy, delivery delay, quality problem, pricing increasing, with E.MC golden service team integrating my China job, everything becomes easier!

—An industrial wholesaler in Mid-East



Because of language barrier and remote distance between our two countries, it's very difficult to work with all supportive suppliers in China, now with E.MC support, I get full automation parts from E.MC, my turnover keeping increasing 30~100% in passing 3 years!

—An automation distributors and solution provider in Brasil



E.MC local one-stop automation shop makes me a lazy engineer, sitting at home with everything ready with right person at right time!

—An European automation equipment user

High quality, low prices, guarantee, easy... NOT possible?

E·MC global one-stop industry products platform 100% satisfy all your extremely strict demand!

We're ready here !

The Strong Team from E·MC Global Automation Management Platform:



Strong industry sourcing team!

- ◆ 12 professional sourcing engineers
- ◆ 3 sourcing managers with over 10 year's industry perfect sourcing experience
- ◆ 1 sourcing director with over 20 years experience in operation, sourcing, and logistics with high achievements in Top 500 companies
- ◆ With exact cost information on every industry process in China and main cost in global market

100% guaranteed QC team

- ◆ 5 well-trained QC engineers
- ◆ Very strict QC system to avoid any potential problem
- ◆ Know very well the main control point and advice earlier
- ◆ More than 100% guarantee with checking from pre-production, processing, output in factory and 2nd checking in E · MC Industry Warehouse
- ◆ Customized QC checking are available

Golden service Team!

- ◆ Over 40 sales engineers
- ◆ We think ahead everything earlier for your business
- ◆ We set everything point by point
- ◆ We remind something you might forget
- ◆ We make sure every of your requirement is well-done
- ◆ We have various solutions for a nice and solid packaging
- ◆ We make sure every perfect product well-shown on every customer's hand!





INDEX



Hydraulic Cylinders	01
CDB7-F15L/DL-8/DL-F15L/SQDL-*15 Series Of Multi-Valve	04
ZD-E10L/ZS-L**/ZS-1L**/DLS-L15E Series Of Multi-Valve	05
0PF Series Gear Pump	06
1PF Series Gear Pump	07
1.5PF Series Gear Pump	10
2.5APF Series Gear Pump	11
3PF Series Gear Pump	12
3.5APF Series Gear Pump	13
1MF/1AMF/2MF Bi-Direction Gear Motor	15
2MF Bi-Direction Gear Motor	16
2MF-B-0 Gear Motor With Outboard Bearing	17
2.5/3MF Bi-Direction Gear Motor	18
3.5MF Bi-Direction Gear Motor	19
BM1/BM2/BM3 Motor	20
BM4/BM5/BM6 Motor	21
JMDG 1/2/3 Radial Piston Hydraulic Motor	22
JMDG 6/8/11 Radial Piston Hydraulic Motor	23
JMDG 16/31/71 Radial Piston Hydraulic Motor	24
JMDG 100/160 Radial Piston Hydraulic Motor	25
R1AT/R1A/R2AT/R2A Hydraulic Hose Saej517	26
R9/R12 Hydraulic Hose Saej517	27
1SN/1ST/2SN/2ST Hydraulic Hose Standard	28
4SP/4SH Hydraulic Hose Standard	29
Air/Water Hose Oil Hydraulic Hose	30
Swaged Hose Fitting	31
Metric Thread Bite Type Tube Fittings	34
BSP Therad Fittings	35
BSP /NPT Therad Fittings	36
ISO A/B Hydralic Quick Couplings	37
Ball Sealing/Japan Type Hydraulic Quick Couplings	38
ISO 16028/High Pressure Screw Type Hydraulic Quick Couplings	39
High Pressure Screw/Push And Pull Type Hydraulic Quick Couplings	40



Greman Style/Diagnostic Type Hydraulic Quick Couplings	41
Stainless Steel/Universal Type Hydraulic Quick Couplings	42
2.25/2.5/2.75/3 Ton Garage Jack	43
1.5/2/3/3.25/3.5/4 Ton Garage Jack	44
Hydraulic /Professional Garage Jack	45
Alimimum Floor Jack/Jack Stands/Racing Jack	46
Hydraulic Long/Air Floor Jack	47
Hydraulic Portable Body Repair Kits/Jack Stand/Chrome Jack Stand	48
Engine Grane	49
Engine Grane/Engine Leveler	50
LED Work Light	51
Remote Control	57
Radiator	59
Aluminnium Oil Radiator	60
Oil Radiators /Water-Oil Combined Radiators for Engineering Equipment	61
Water-Oil Combined Radiators for Engineering Equipment /Charge air coolers for vehicles	62
Radiators for various types of vehicles	63





International hydraulic standard design
 Over 10 years manufacturing experience
 Highly equipped over 68,000m2 modern factory
 Strict quality control and system test
 One year guarantee, global service network.

To provide first class products and service, every production and service process of E.MC hydraulic cylinder and system strictly follow up ISO9001 system and special requirement of hydraulic system, from raw material, welding, cleaning, assembling, testing, painting, shipping and after-service.





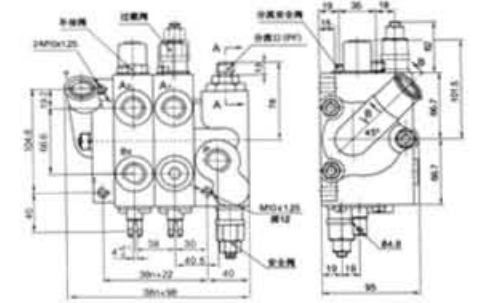
E.MC can provide different design cylinders including tie-rod cylinder, welding cylinder and telescopic cylinder with single acting and double acting for your opinion.

- 1.The bore range:25mm-1000mm
- 2.Stoke range:10mm-8000mm
- 3.Working pressure:16-32Mpa
- 4.Sealing system: NOK ,Parker, Hallite, Trelleborg ,DZ for customer opinion.
- 5.Barrel:ASTM1020 steel,ST 52 or 27SiMn
- 6.Piston rod: CK45 steel with hard chrome plated, or with nitriding..



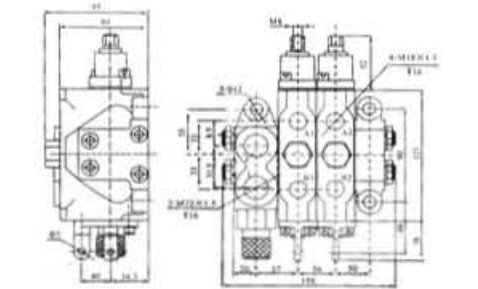
CDB7-F15L

Nominal pressure(MPa)	20
Nominal size(mm)	15
Nominal flowrate(L/min)	80
Number of block coupled	1-8
Dividing flow (L/min)	8-6
Dividing flow valve pressure	9
Weight	4+2.6n



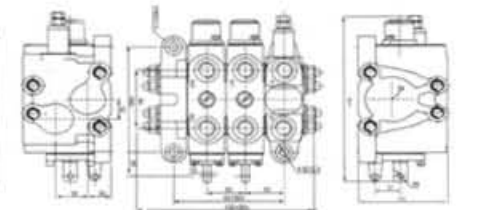
DL-8

Nominal size(mm)	8	
Nominal pressure(MPa)	20	
Nominal flowrate (L/min)	80	
The scope of the regulator valve pressure check valve lock (mpa)	6~25 <2.8	
Hydraulic oil	Temperature range	-20~+80
	Viscosity(mm ² /s)	10~400
	Filtration accuracy	<10



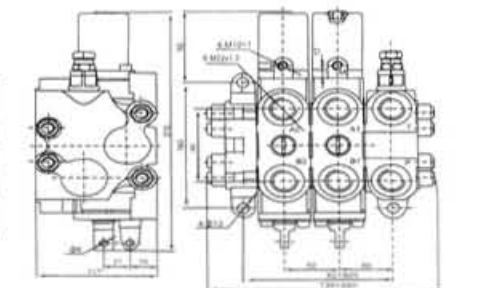
DL-F15L

Nominal pressure(MPa)	20
Nominal size(mm)	15
Nominal flowrate(L/min)	65
Number of block coupled	1~8
Weight	2.9+2.6n



SQDL-*15

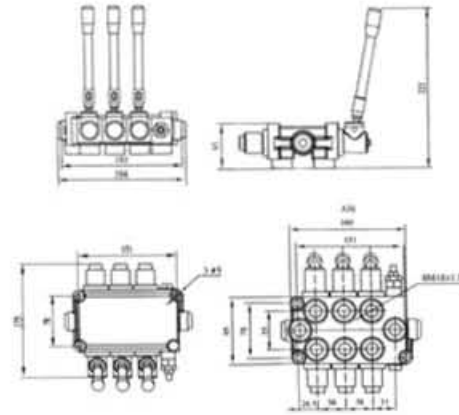
Nominal pressure(MPa)	20
Nominal size(mm)	15
Nominal flowrate(L/min)	65
Number of block coupled	1~8
Weight	2.9+2.6n





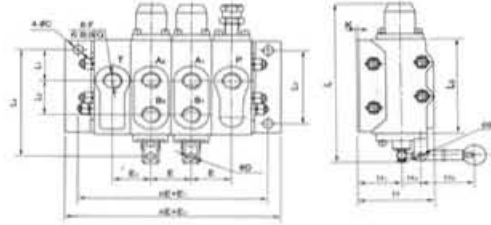
ZD-E10L

Model	ZS-10L
Nominal pressure(MPa)	16
Nominal size(mm)	10
Nominal flowrate(L/min)	10
Weight	4



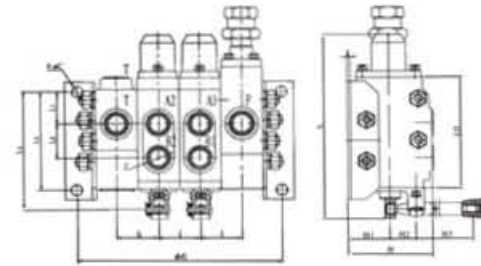
ZS-L**

Model	ZS-10E	ZS-101E
Nominal pressure (MPa)	16	16
Nominal size (mm)	10	10
Nominal flowrate (L/min)	40	40
Number of block coupled	1-10	1-10



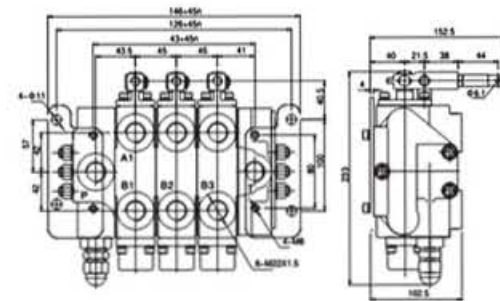
ZS-1L**

Model	ZS1-L10E	ZS1-L15E	ZS1-L20E	ZS1-L25E
Nominal pressure (MPa)	16	16	16	16
Nominal size (mm)	10	15	20	25
Nominal flowrate (L/min)	40	63	100	160
Number of block coupled	1-10	1-10	1-10	1-10

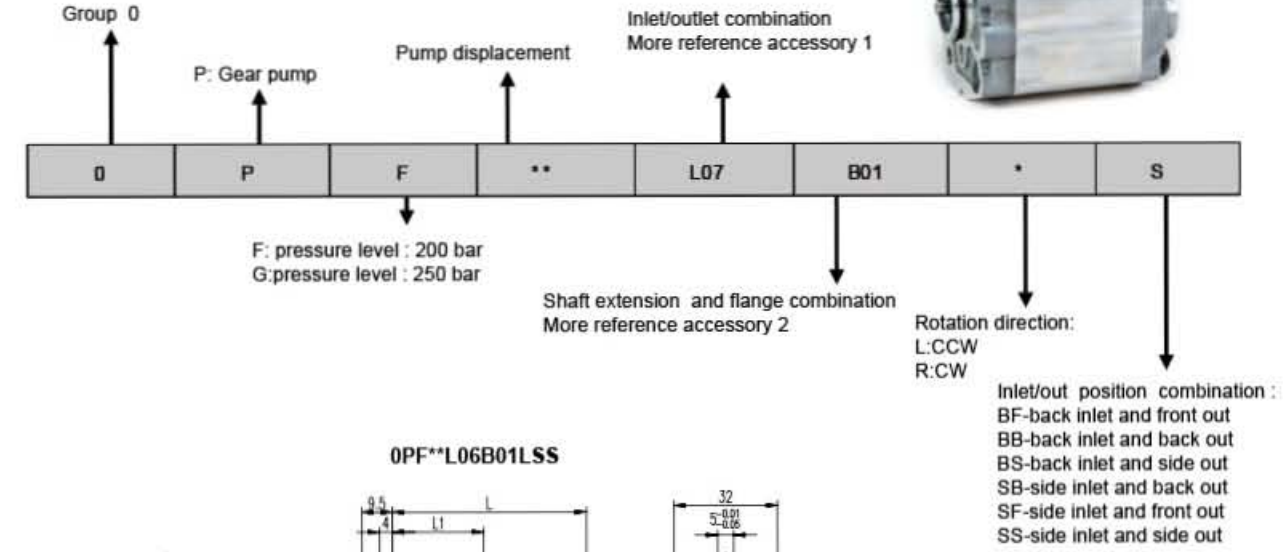


DLS-L15E

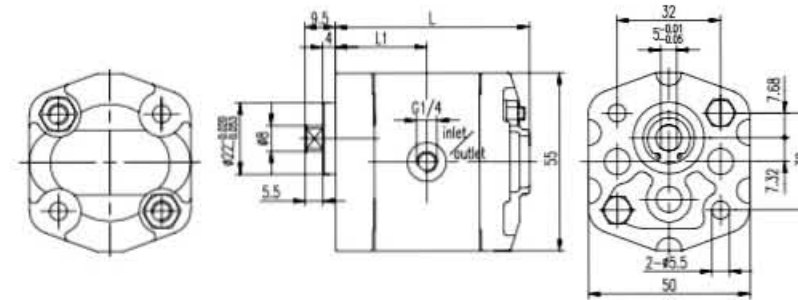
Nominal pressure(MPa)	4-16	
Max pressure	20	
Nominal flowrate (L/min)	63	
Allow back-pressure	≤1	
Hydraulic lock inner-leakage	≤1	
Oil	Temperature range	-20+80
	Viscosity(mm ² /s)	10-400
	Filtration accuracy	≤10



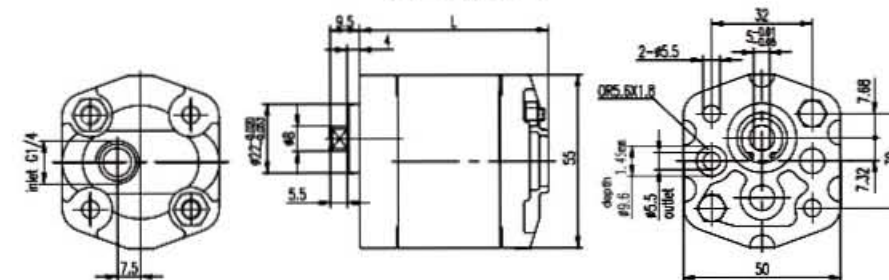
How to order:



0PF**L06B01LSS



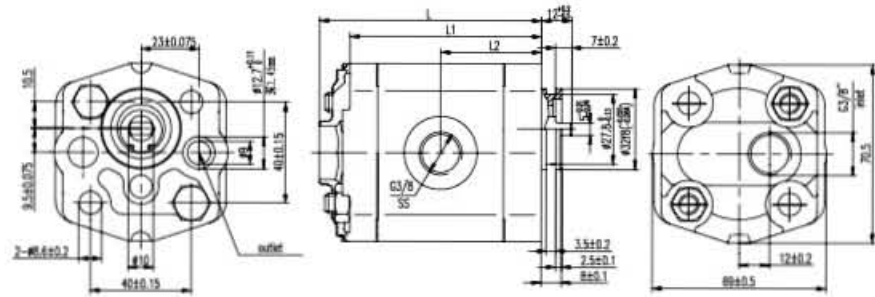
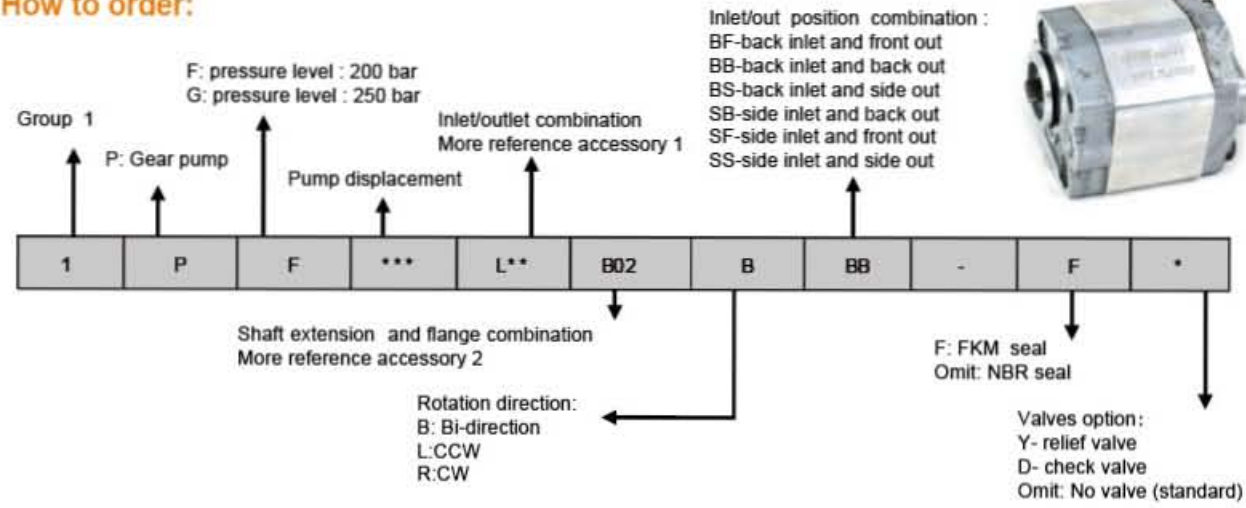
0PF**L07B01LBF



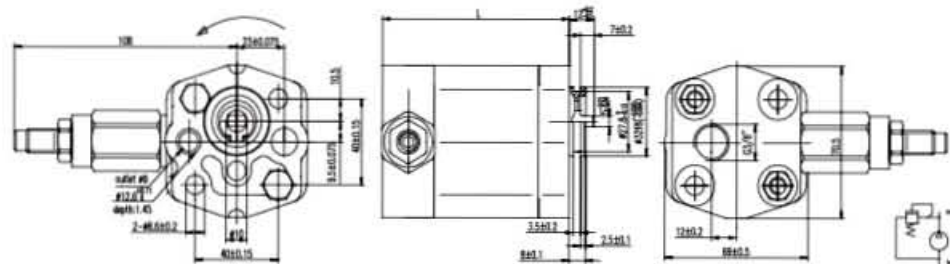
TYPE: 0PF **L**B01***

Model	Displacement (Ml/r)	Pressur(bar)		Speed(r/min)			L (mm)	SS		Inlet
		Rated	Peak	Rated	Max	Min		L (mm)	L1 (mm)	
0PF0.16L07B01***	0.16	200	250	2000	6000	800	61	58.2	30.8	G1/4
0PF0.25L07B01***	0.25	200	250	2000	6000	800	62	59	31.3	
0PF0.38L07B01***	0.38	200	250	2000	6000	800	62.5	60.3	31.9	
0PF0.50L07B01***	0.50	200	250	2000	6000	800	63	61	32.3	
0PF0.75L07B01***	0.75	200	250	2000	6000	800	66	63.5	33.5	
0PF1.00L07B01***	1.00	200	250	2000	6000	800	68	66	34.8	
0PF1.25L07B01***	1.25	200	250	2000	5000	800	71	68.5	36	
0PF1.50L07B01***	1.50	200	250	2000	4500	800	73	70	37	
0PF1.75L07B01***	1.75	200	250	2000	4000	800	75	73	38.3	
0PF2.00L07B01***	2.00	160	200	2000	3500	800	77	75.5	39.5	

How to order:



OPTION: WITH RELIEF VALVE / 1PF***L01B02

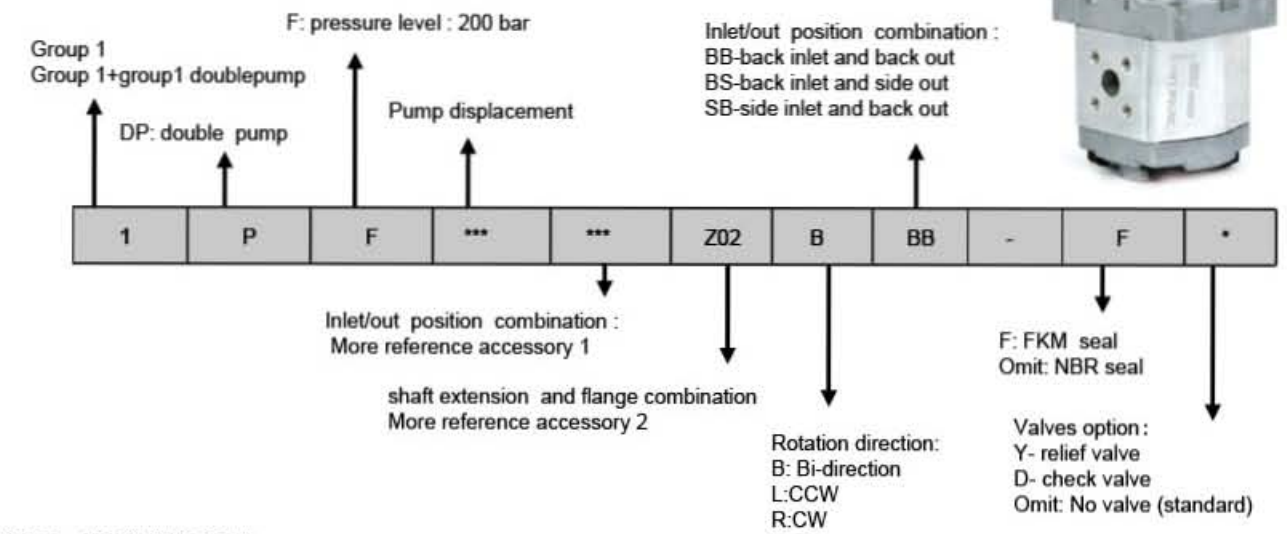


ADJUSTED PRESSURE OF RELIEF VALVE /50BAR TO 250 BAR

TYPE: 1PF ***L**B02***

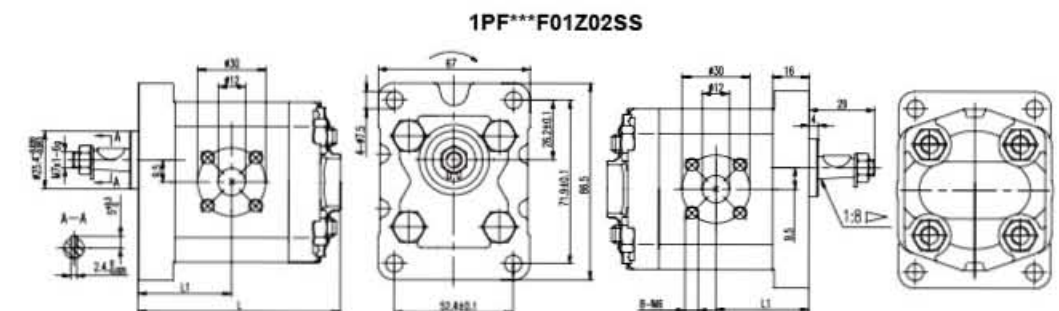
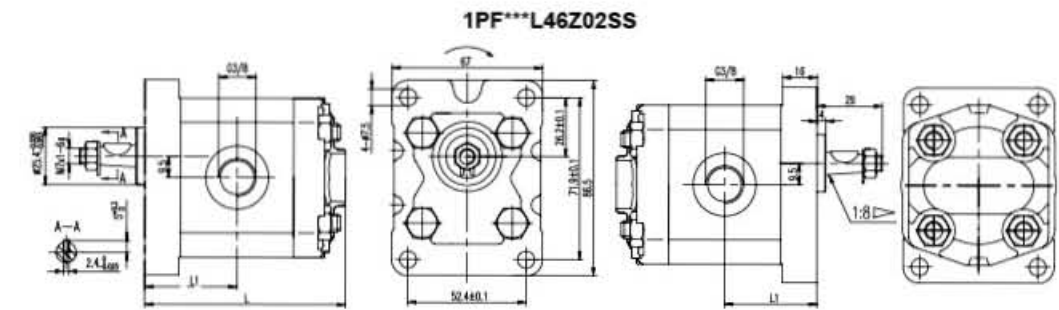
Model	Displacement (Ml/r)	Pressur(bar)		Speed(r/min)			L (mm)	SS		Inlet
		Rated	Peak	Rated	Max	Min		L (mm)	L1 (mm)	
1PF1.1L01B02***	1.1	200	250	2000	6000	600	74	63	33	G3/8
1PF1.3L01B02***	1.3	200	250	2000	6000	600	75	64	33.5	
1PF1.6L01B02***	1.6	200	250	2000	6000	600	76	65	34	
1PF1.8L01B02***	1.8	200	250	2000	6000	600	77	66	34.5	
1PF2.1L01B02***	2.1	200	250	2000	6000	600	78	67	35	
1PF2.7L01B02***	2.7	200	250	2000	6000	600	80	69	36	
1PF3.2L01B02***	3.2	200	250	2000	5000	600	82	71	37	
1PF3.7L01B02***	3.7	200	250	2000	4500	600	84	73	38	
1PF4.2L01B02***	4.2	200	250	2000	4000	600	86	75	39	
1PF4.8L01B02***	4.8	160	200	2000	3500	600	88	77	40	
1PF5.8L01B02***	5.8	160	200	2000	2900	600	92	81	42	
1PF8.0L01B02***	8.0	160	200	2000	2100	600	100	89	46	

How to order:

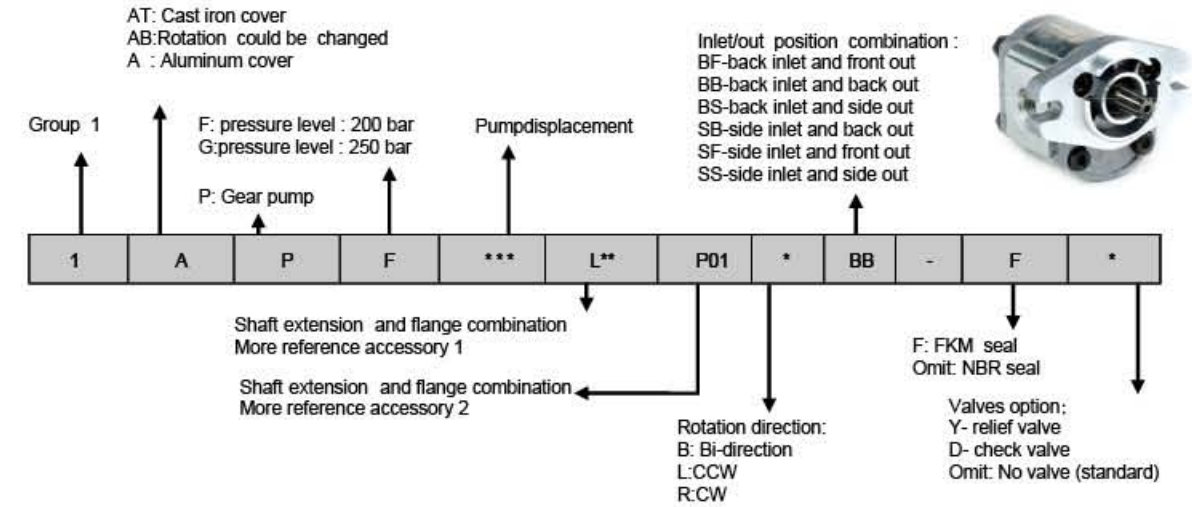


TYPE: 1PF*****Z02**

Model	Displacement (Ml/r)	Pressur(bar)		Speed(r/min)			SS	
		Rated	Peak	Rated	Max	Min	L (mm)	L1 (mm)
1PF1.1*****Z02**	1.1	200	250	2000	6000	600	75	33
1PF1.3*****Z02**	1.3	200	250	2000	6000	600	76	34
1PF1.6*****Z02**	1.6	200	250	2000	6000	600	78	35
1PF1.8*****Z02**	1.8	200	250	2000	6000	600	78.5	35.5
1PF2.1*****Z02**	2.1	200	250	2000	6000	600	79	36
1PF2.7*****Z02**	2.7	200	250	2000	6000	600	81	37
1PF3.2*****Z02**	3.2	200	250	2000	5000	600	83	38
1PF3.7*****Z02**	3.7	200	250	2000	4500	600	85	39
1PF4.2*****Z02**	4.2	200	250	2000	4000	600	87	40
1PF4.8*****Z02**	4.8	160	200	2000	3500	600	89	41
1PF5.8*****Z02**	5.8	160	200	2000	2900	600	93	43
1PF8.0*****Z02**	8.0	160	200	2000	2100	600	101	47

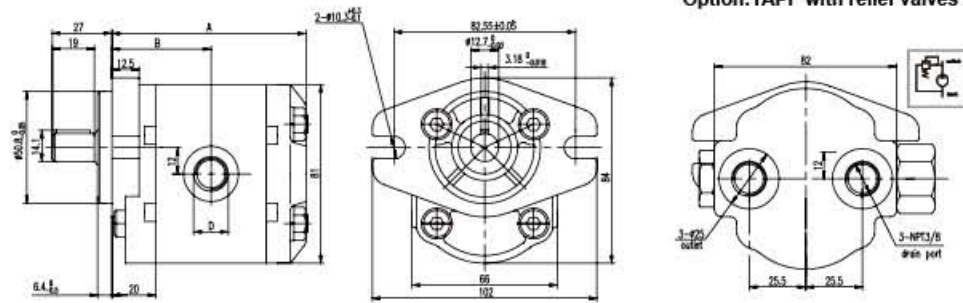


How to order:

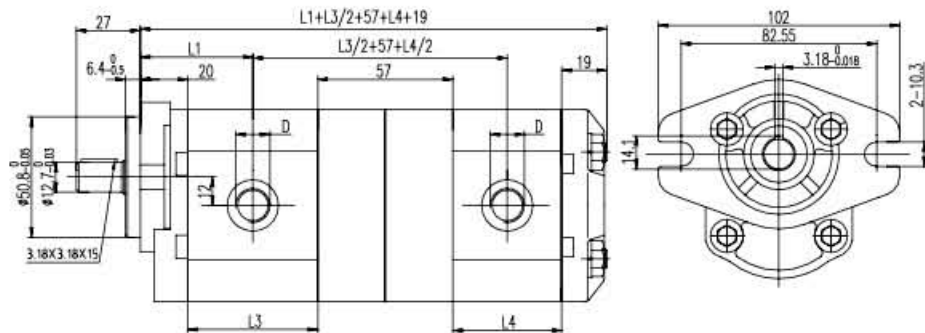


TYPE: 1APF***L**P01*

Model	Displacement (Ml/r)	Pressur(bar)		Speed(r/min)			A (mm)	B (mm)	D	
		Rated	Peak	Rated	Max	Min			In	Out
1APF1.3L05P01*	1.3	200	250	2000	4500	500	82	42	G 1/2	G 3/8
1APF2.0L05P01*	2.0	200	250	2000	4500	500	84	43		
1APF2.7L05P01*	2.7	200	250	2000	4500	500	86	44		
1APF3.4L05P01*	3.4	200	250	2000	4500	500	88	45		
1APF4.1L05P01*	4.1	200	250	2000	4500	500	90	46		
1APF5.1L05P01*	5.1	200	250	2000	3200	500	93	47.5		
1APF6.1L05P01*	6.1	200	250	2000	3200	500	96	49		

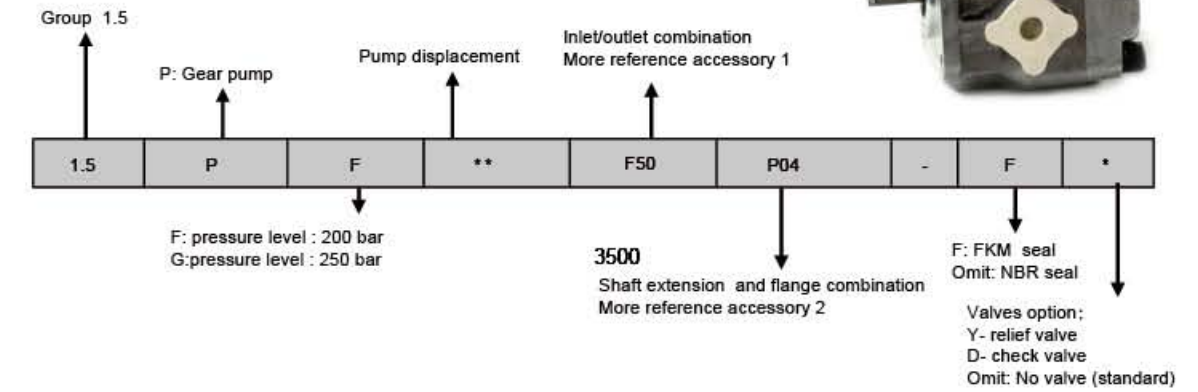


1ADPF**/**DL**P01* DOUBLE PUMP /1ADPF**/**DL**P01*



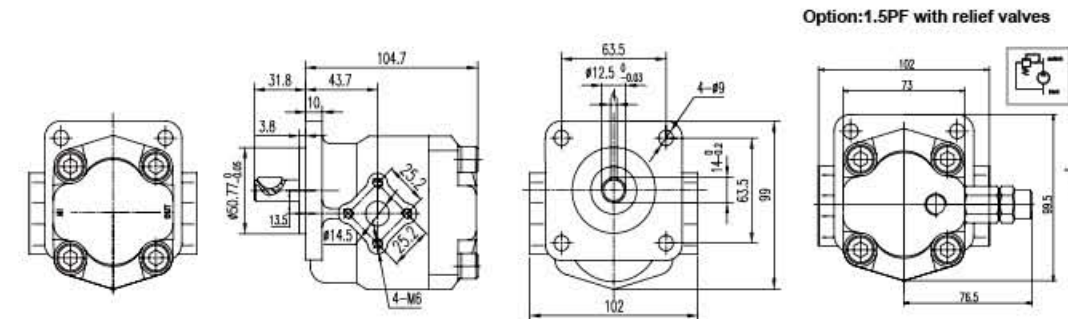
Displacement (ml/r)	1.3	2.0	2.7	3.4	4.1	5.1	6.1
L3(front pump) / L4(rear pump)	44	46	48	50	52	55	58

How to order:

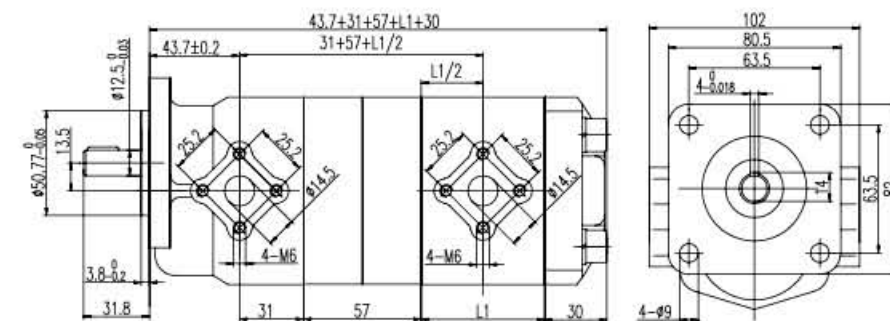


TYPE: 1.5PF**F50P04*

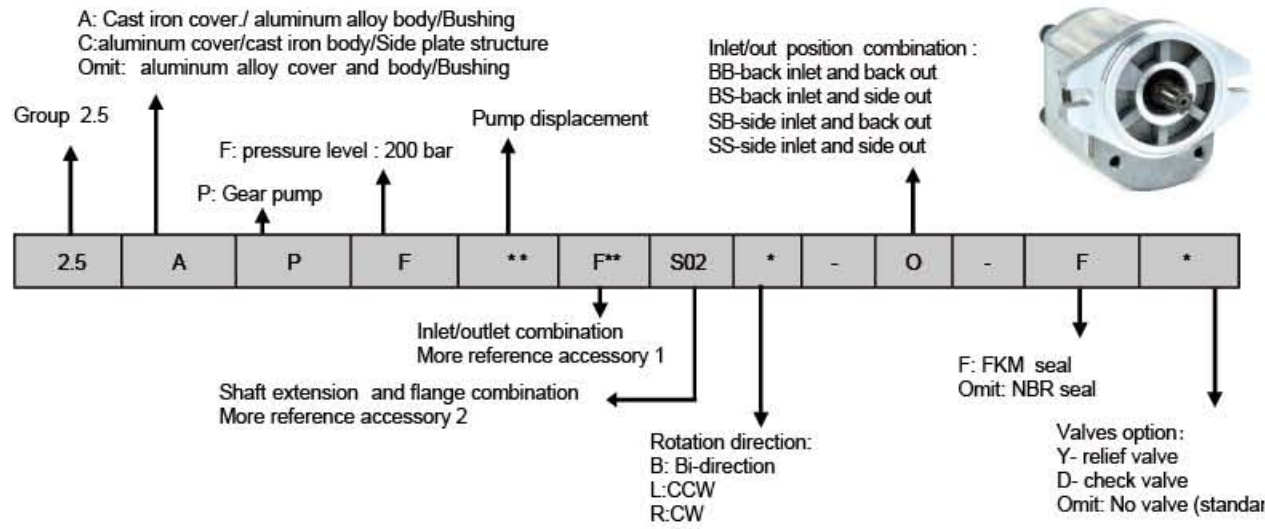
Model	Displacement (Ml/r)	Pressur(bar)		Speed(r/min)		
		Rated	Peak	Rated	Max	Min
1.5PF2F50P04*	2	210	250	3500	3500	500
1.5PF3F50P04*	3	210	250	3500	3500	500
1.5PF4F50P04*	4	210	250	3500	3500	500
1.5PF5F50P04*	5	210	250	3500	3500	500
1.5PF6F50P04*	6	210	250	3500	3500	500
1.5PF8F50P04*	8	210	250	3500	3500	500
1.5PF9F50P04*	9	175	210	1500	2000	500
1.5PF11F50P04*	11	175	210	1500	2000	500
1.5PF12F50P04*	12	175	210	1500	2000	500



1.5DPF**/**F50P04* DOUBLE PUMP /1.5DPF**/**F50P04*

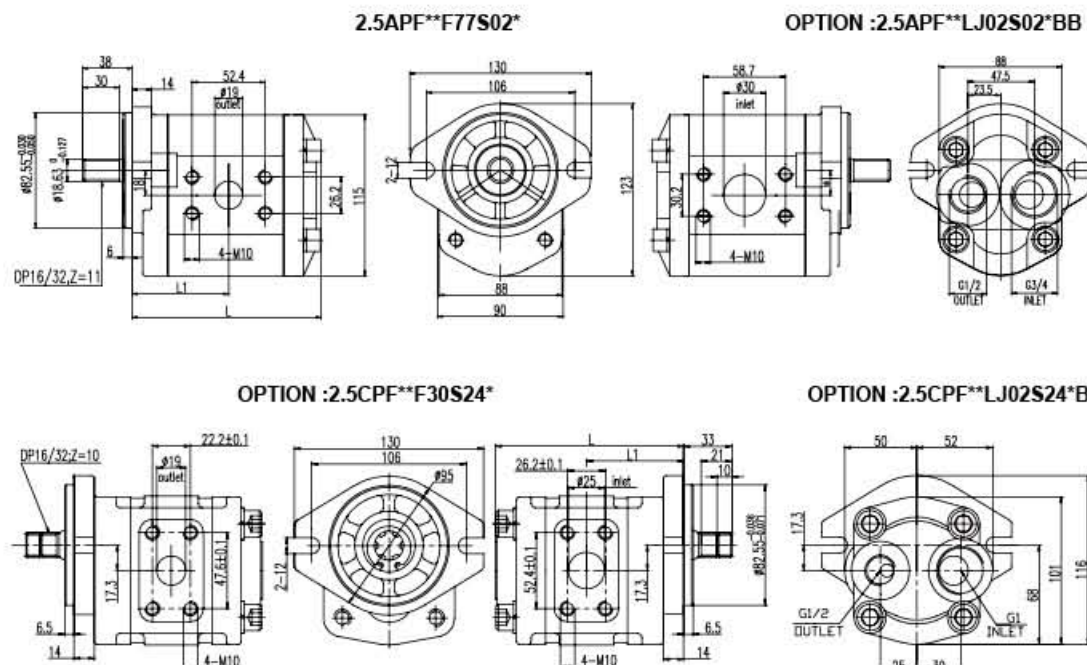


How to order:

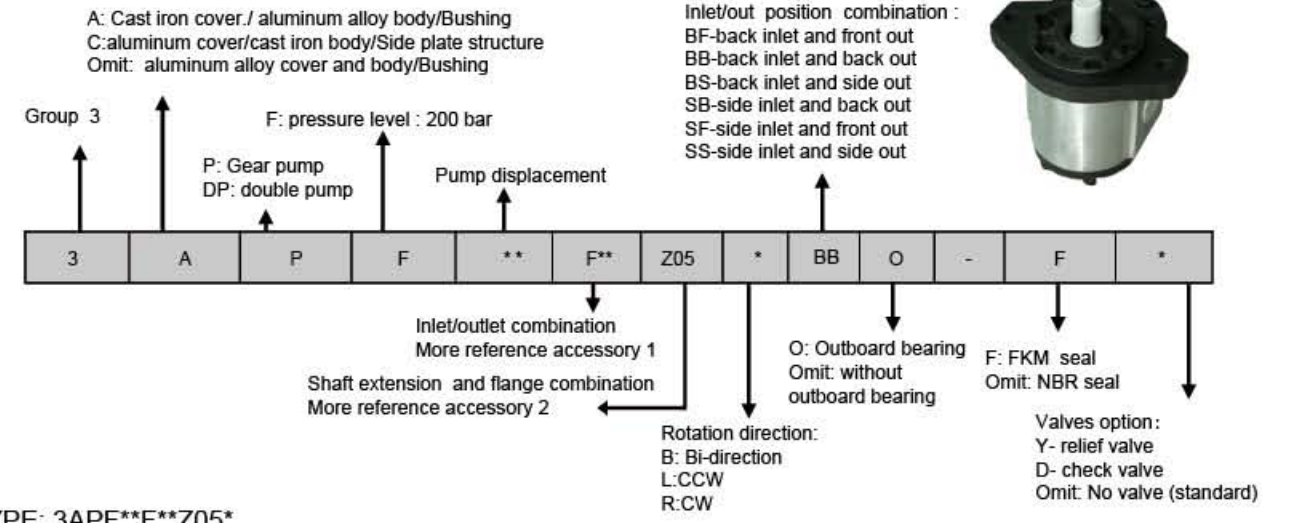


TYPE: 2.5APF **F77S02*

Model	Displacement (Ml/r)	Pressur(bar)		Speed(r/min)			L (mm)	L1 (mm)	Inlet	Outlet
		Rated	Peak	Rated	Max	Min				
2.5APF20F77S02*	20	200	250	2500	3000	500	124.5	61.5	Ø25	Ø19
2.5APF25F77S02*	25	200	250	2500	3000	500	130.5	64.5		
2.5APF27F77S02*	27	200	250	2500	3000	500	133	65.8		
2.5APF30F77S02*	30	200	250	2500	3000	500	136.5	67.5		
2.5APF32F77S02*	32	200	230	2500	3000	500	139	68.8		
2.5APF36F77S02*	36	200	230	2500	3000	500	143.5	71		
2.5APF40F77S02*	40	160	200	2500	3000	500	148.5	73.5		

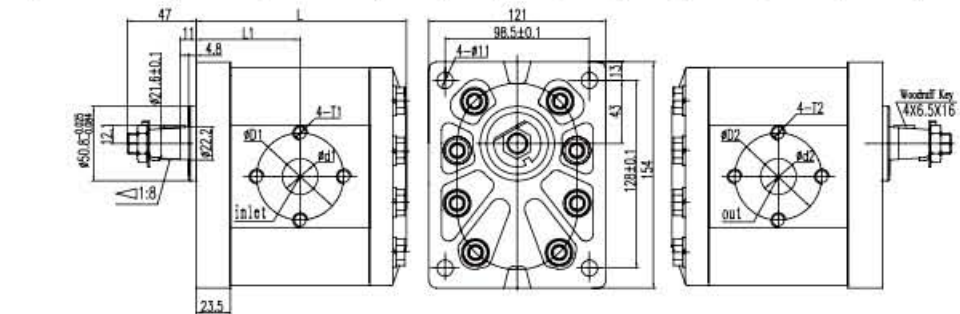


How to order:

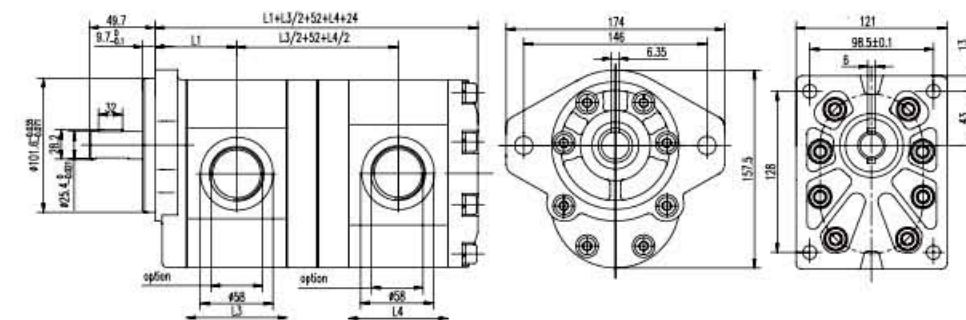


TYPE: 3APF**F**Z05*

Model	Displacement (Ml/r)	Pressur(bar)		Speed(r/min)			L (mm)	L1 (mm)	øD1 (mm)	ød1 (mm)	T1 (mm)	øD2 (mm)	ød2 (mm)	T2 (mm)
		Rated	Peak	Rated	Max	Min								
3APF22F10	22	200(250)	250(300)	2000	3000	400	128.5	65.5	56	27	M10	56	19	M10
3APF26F10	26	200(250)	250(300)	2000	3000	400	131.5	67						
3APF34F10	34	200(250)	250(300)	2000	3000	400	137	69.8						
3APF39F10	39	200(250)	250(300)	2000	3000	400	141	71.8						
3APF43F09	43	200(250)	250(300)	2000	2800	400	143.5	73	51	27	M10	51	27	M10
3APF51F11	51	200(250)	250(300)	2000	2400	400	149.5	76						
3APF60F12	60	180(200)	230(250)	1500	2800	400	156	79.3	62	33	M10	51	27	M10
3APF70F12	70	180(200)	200(230)	1500	2500	400	163	82.8						
3APF78F12	78	160(200)	200(230)	1500	2300	400	-	-	62	33	M10	51	27	M10
3APF89F12	89	140(180)	180(200)	1500	2000	400	-	-						

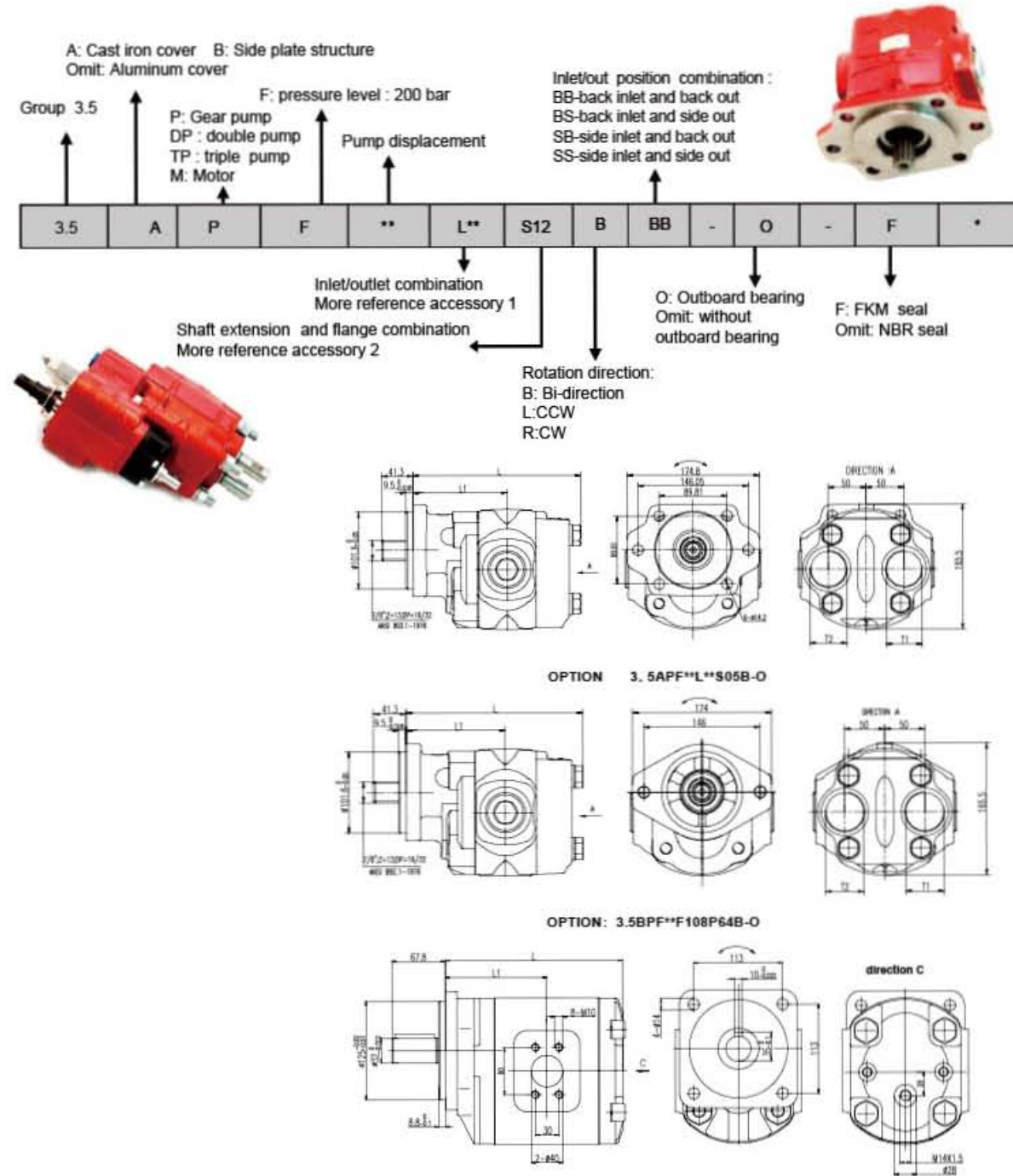


3APF**DL**P88* DOUBLE PUMP / 3APF**DL**Z05(S05)*



Displacement (ml/r)	22	26	34	39	43	51	60	70
L3(front pump) / L4(rear pump)	80	83	88.5	92.5	95	101	107.5	114.5

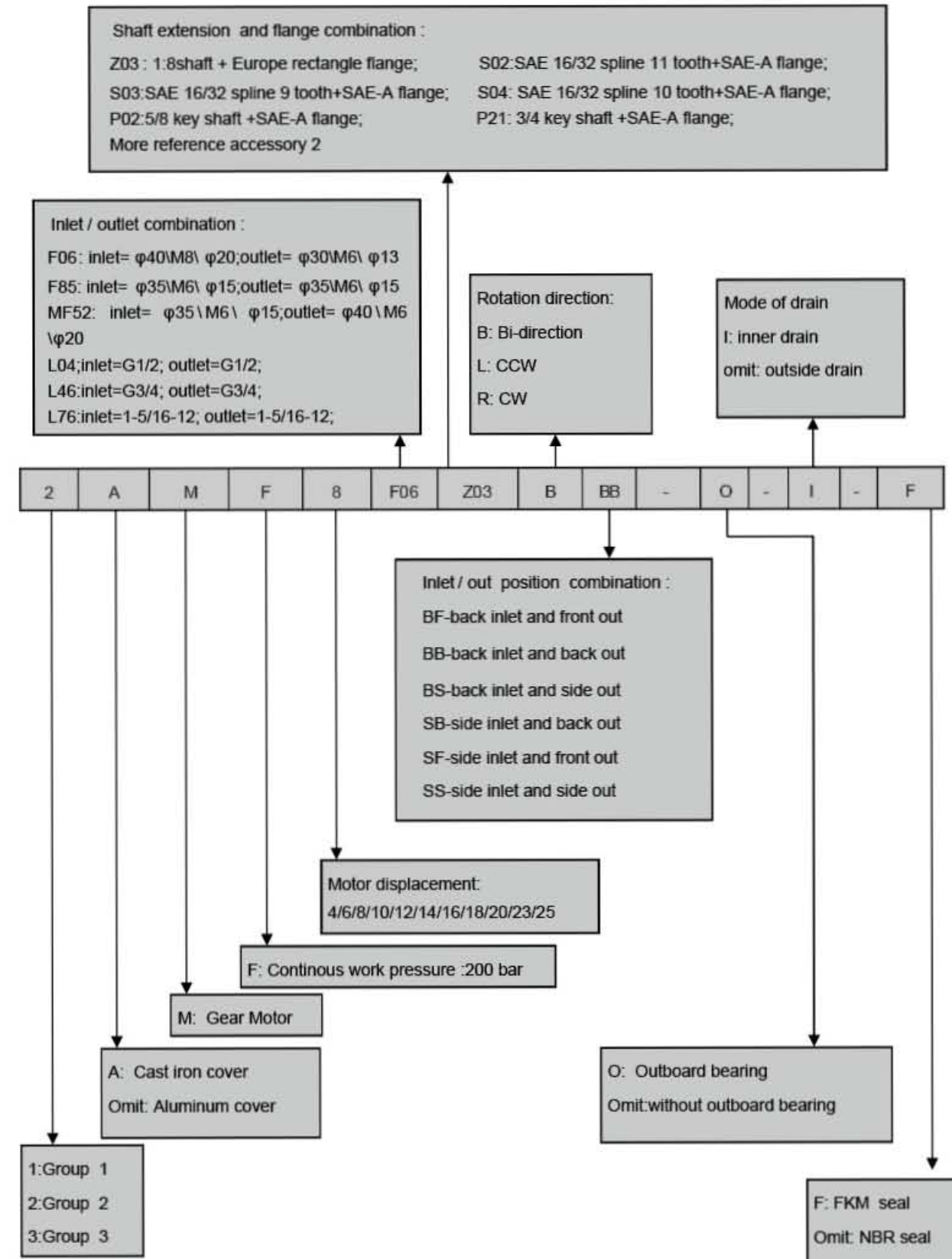
How to order:

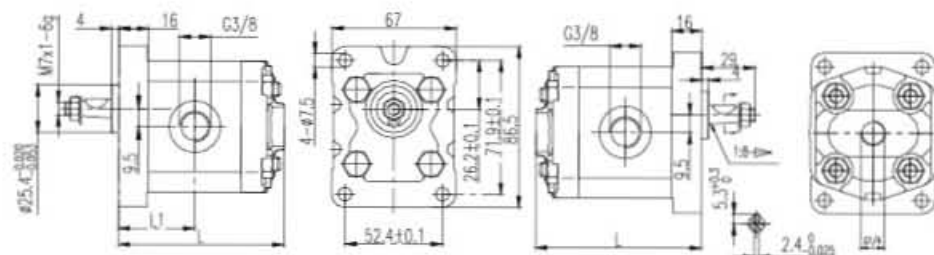


TYPE: 3.5APF**L**S12B**-O

Model	Displacement		Pressur(bar)		Speed(r/min)			L (mm)	L1 (mm)	T1 (mm)	T2 (mm)
	(Ml/r)		Rated	Peak	Rated	Max	Min				
3.5APF52	52		170	210	1500	3600	600	181.0	206.5	1"	1-1/4"
3.5APF63	63		170	210	1500	3600	600	187.5	216.0	1"	1-1/4"
3.5APF73	73		170	210	1500	3600	600	193.5	225.3	1-1/4"	1-1/4"
3.5APF85	85		150	180	1500	3600	600	200.5	235.5	1-1/4"	1-1/4"
3.5APF93	93		150	180	1500	3600	600	206.5	244.5	1-1/2"	1-1/4"
3.5APF104	104		150	180	1500	3600	600	213.0	254.5	1-1/2"	1-1/4"
3.5APF115	115		120	140	1500	3600	600	219.0	263.5	1-1/2"	1-1/4"

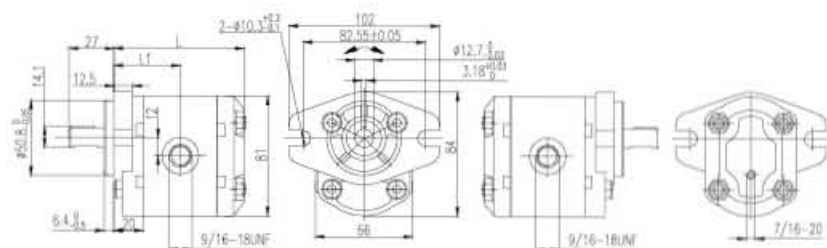
How to order:





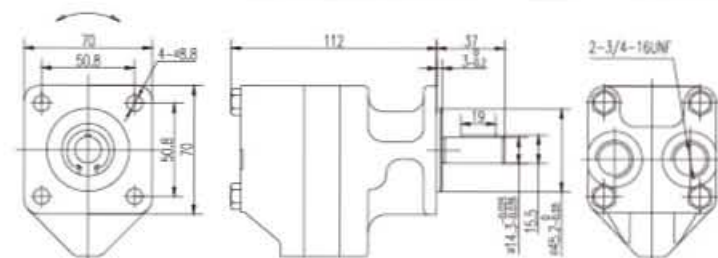
TYPE: 1MF**L69Z02BB

Displacement(ml/r)	1.1	1.6	2.1	2.7	3.2	3.7	4.2	4.8	5.8	6.5	8
L1	33	35	36	37	38	39	40	41	43	44	47
L	75	78	79	81	83	85	87	89	93	95	101



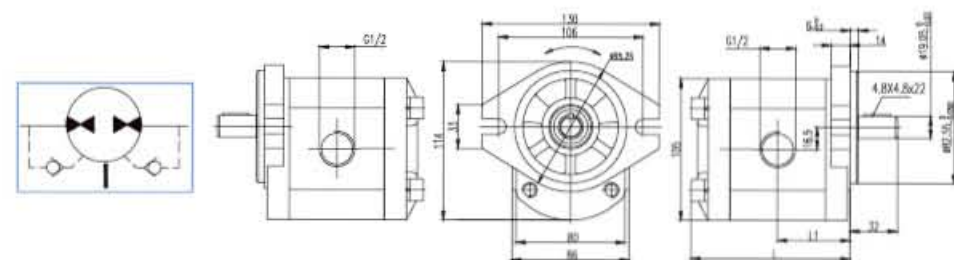
TYPE: 1AMF**L**P01BB

Displacement(ml/r)	1.3	2.0	2.7	3.4	4.1	5.1	6.1	6.5	7.0	7.5	8.5
L1	42	43	43	45	46	47.5	49	49.5	50	50.5	52
L	82	84	86	88	90	93	96	98	100	102	103



1DMF6.1LJ86P68B-BB

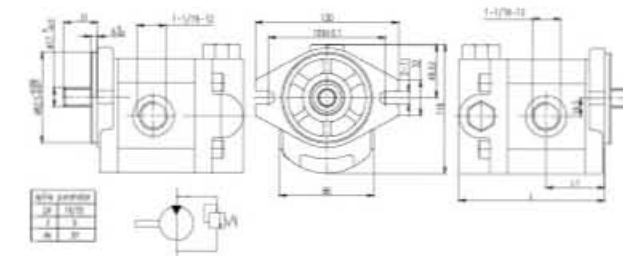
Displacement(ml/r)	Working pressure(bar)	Max speed (RPM)	Torque (N. m)	Direction
6.2	70	5000	5.78	Bi-direction



TYPE: 2MF**L04P02-B-I

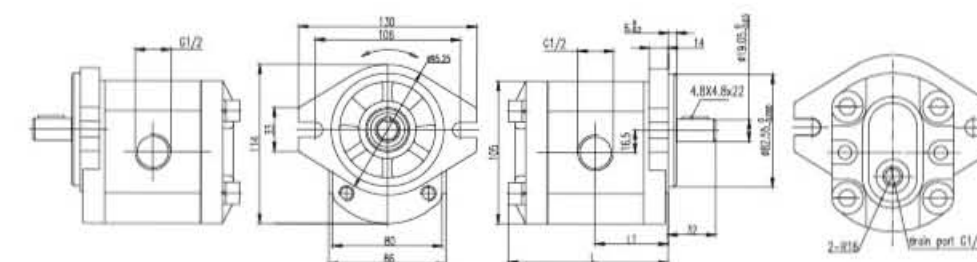
Displacement(ml/r)	4	6	8	10	12	14	16	18	20	23	25
L1	44	45	47	48	50	51	53	55	56	58	60
L	96	98	102	104	108	108	114	117	120	123	128

This motor is of internal drainage port structure. Two check valves guarantee its bi-directional function and have the oil of internal leakage return to inlet port. The function symbols are as follows.



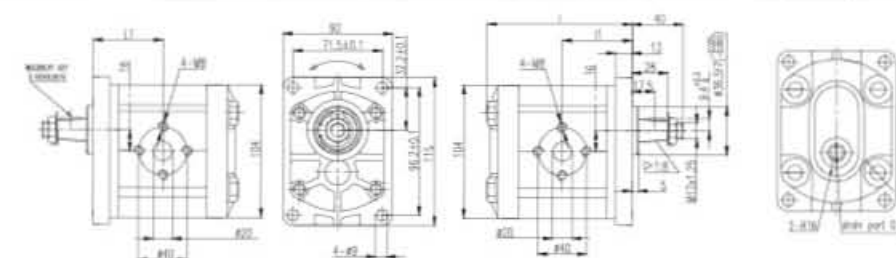
TYPE: 2MF**L04P02-B-I

DISPLACEMENT(ml/r)	4	6	8	10	12	14	16	18	20	23	25
L1	39	40	41	43	44	46	48	49	51	54	57
L	111	112	115	118	120	125	128	132	137	139	141



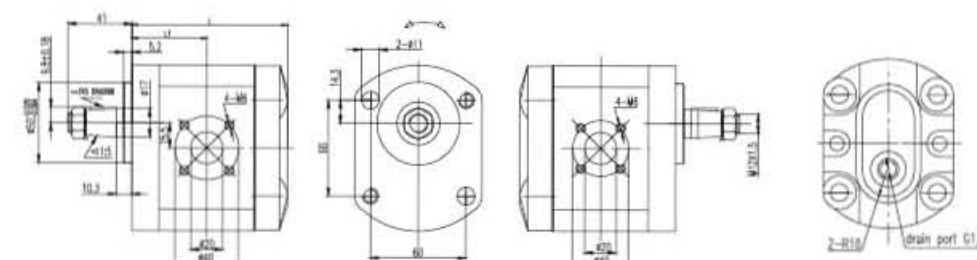
TYPE: 2MF**L04P02B

DISPLACEMENT(ml/r)	4	6	8	10	12	14	16	18	20	23	25
L1	44	45	47	48	50	51	53	55	56	58	60
L	96	98	102	104	108	108	114	117	120	123	128



TYPE: 2MF**F**Z03B

DISPLACEMENT(ml/r)	4	6	8	10	12	14	16	18	20	23	25
L1	46	47	49	50	52	53	55	57	58	60	62
L	98	100	104	106	110	112	116	119	122	125	130

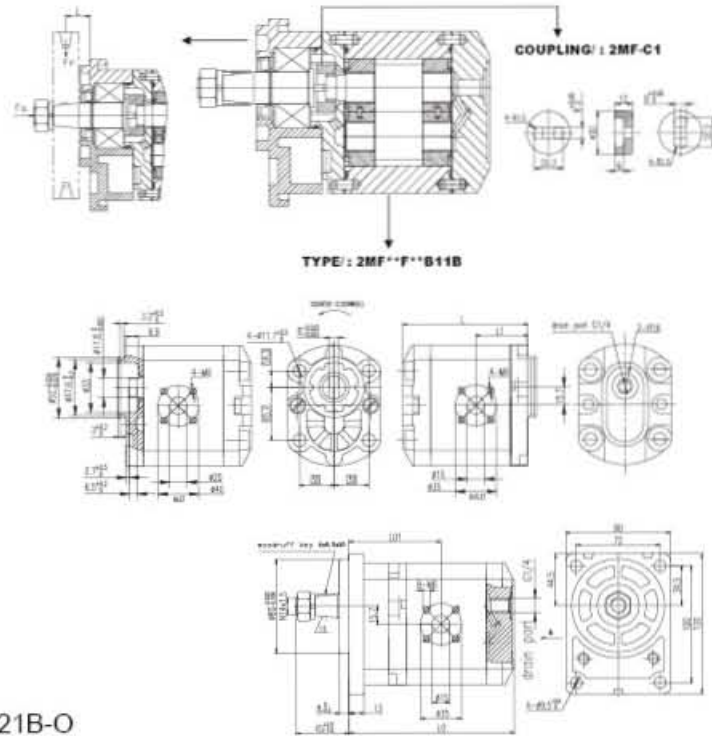


TYPE: 2MF**F**Z11B

DISPLACEMENT(ml/r)	4	6	8	10	12	14	16	18	20	23	25
L1	39	40	41	43	44	46	48	49	51	54	57
L	90	91	94	96.5	98.5	103.5	107	111	116	118	120

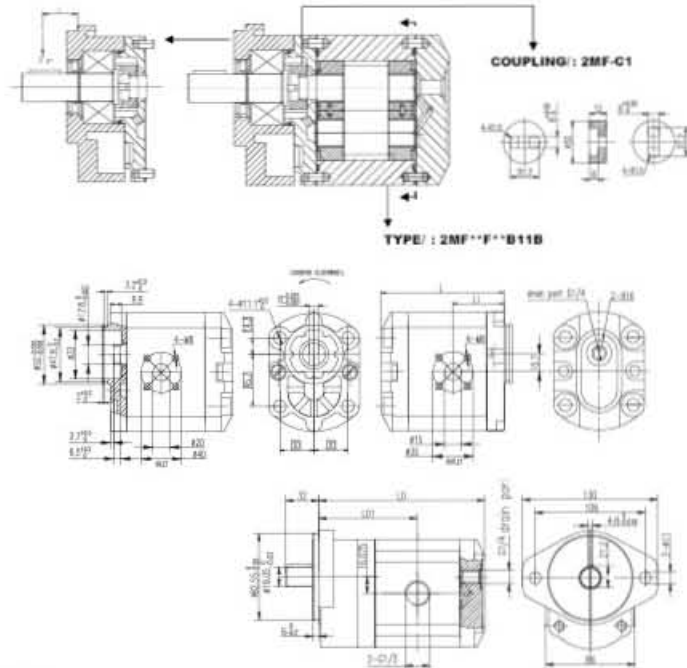


Note:
-O: Outboard bearing
-B: Bi-direction



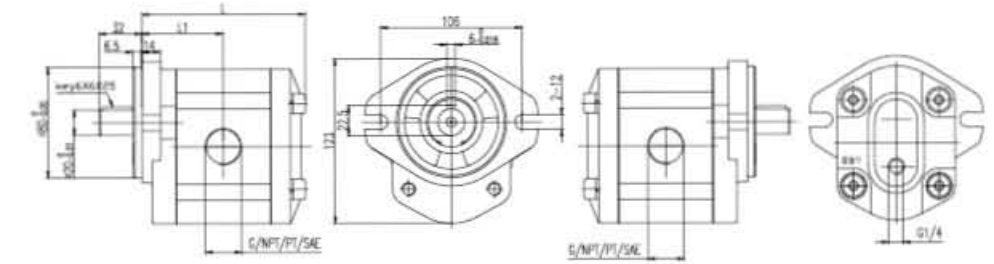
2MF**L**P21B-O

DISPLACEMENT(ml/r)	4	6	8	10	12	14	16	18	20	23	25
LO1	73	4	75	77	79	80	82	83	86	89	92
LO	126	124	127	130	133	137	141	143	147	153	157
L1	39	40	41	43	44	46	48	49	51	54	57
L	90	91	94	96.5	98.5	103.5	107	111	116	118	120



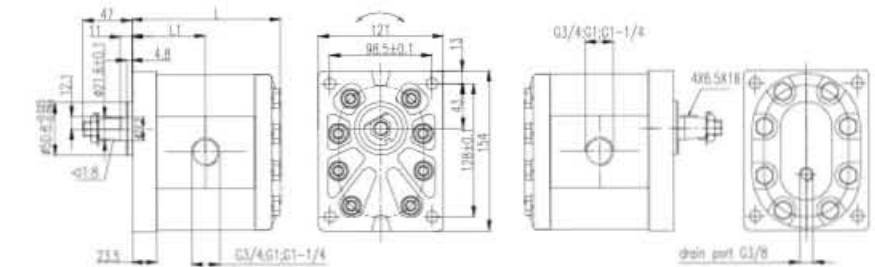
2MF**L**P21B-O

DISPLACEMENT(ml/r)	4	6	8	10	12	14	16	18	20	23	25
LO1	79	80.5	82	84	86	80	88	90	91	94	95
LO	131	134	137	140	144	137	150	153	156	160	163
L1	39	40	41	43	44	46	48	49	51	54	57
L	90	91	94	96.5	98.5	103.5	107	111	116	118	120



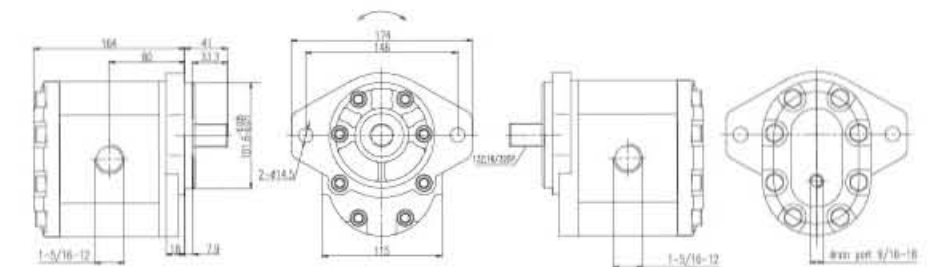
TYPE: 2.5MF**L**P61B

Displacement(ml/r)	10	16	20	25	27	30	32	36	40
L1	44	45	60	62	63	65	66	68	70
L	96	98	125	130	132	137	139	144	148



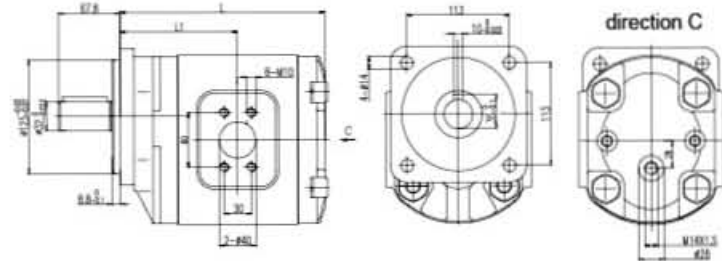
TYPE: 3MF**L**Z05B

Displacement(ml/r)	22	26	34	39	43	51	60	70	78	89
L1	64	66	8	70	71	74	77	81	83	87
L	129	132	137	141	144	150	156	163	168	174



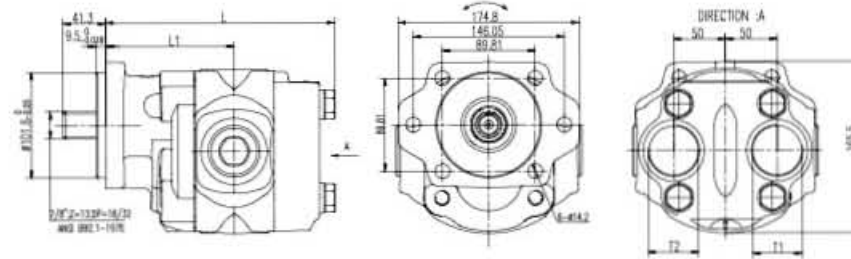
TYPE: 3MF**L**S05B

Displacement(ml/r)	22	26	34	39	43	51	60	70	78	89
L1	66	67	9	71	73	76	79	82	85	88
L	131	134	139	143	147	152	158	166	171	176



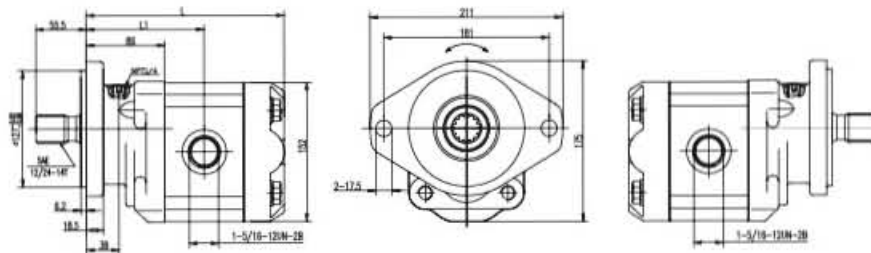
TYPE: 3.5BMF**F108P64B

Displacement(ml/r)	63	80	100
L1	119	125	132
L	215	221	228



TYPE: 3.5MF**L**S12B

Displacement(ml/r)	52	63	73	85	93	104	115
L1	181	188	194	200	207	213	219
L	207	216	225	235	244	255	264



TYPE: 3.5MF**L**S34B

Displacement(ml/r)	52	63	73	85	93	104	115
L1	181	188	194	200	207	213	219
L	207	216	225	235	244	255	264



How to order:

BM1-100
Series No. |
Size

BM1

(ml/r) Displacement	inch	50	63	80	100	125	160	200	250	315	400
(LPM) Flow	Cont.	38	45	58	58	58	58	58	58	58	58
(RPM) Speed	Int..	45	53	69	69	69	69	69	69	69	69
(MPa) Pressu	Cont.	698	663	685	560	456	356	285	236	179	145
(N*m) Torque	Int..	858	775	820	671	548	426	341	282	210	173
	Cont.	12.5	12.5	12.5	12.5	12.5	12.5	11	10	9	9
	Int..	14	14	14	14	14	12.5	12.5	12.5	12.5	11
	Cont.	74	87	124	155	194	227	282	302	365	456
	Int..	86	98	141	176	221	260	318	383	406	521

- Intermittent means the entrance of the maximum pressure; continuous working pressure means the differential pressure
- Motor should not work under the highest pressure and the maximum speed
- The running time should not exceed 10% under intermittent working conditions
- The Maximum working temperature is 80 °
- The maximum allowable back pressure is 10MPa, but the recommended back pressure should not exceed 5MPa. a drain pipes is needed when exceeding
- one hour running time under 40% of maximum working pressure is recommended before full capacity working.
- Recommending N68 anti-wear hydraulic oil, viscosity 37-73cSt, cleanliness ISO18/13.



How to order:

BM2- 50
Series No. |
Size

BM2

(ml/r) Displacement	inch	50	63	80	100	125	160	200	250	315	400	500
(LPM) Flow	Cont.	40	53	58	58	58	58	58	58	58	58	58
(RPM) Speed	Int..	46	58	68	68	68	68	68	68	68	68	68
(MPa) Pressu	Cont.	750	760	653	551	440	344	276	220	175	140	110
(N*m) Torque	Int..	863	832	766	646	516	404	323	258	205	162	128
	Cont.	14	14	14	14	14	14	12.5	11	9	9	8
	Int..	17	17	17	17	17	17	15	13	11	10	9
	Cont.	89	112	142	178	223	285	318	350	360	418	464
	Int..	108	136	172	216	270	346	382	413	400	464	500

- Intermittent means the entrance of the maximum pressure; continuous working pressure means the differential pressure
- Motor should not work under the highest pressure and the maximum speed
- Recommending N68 anti-wear hydraulic oil, viscosity 37-73cSt, cleanliness ISO18/13.
- The running time should not exceed 10% under intermittent working conditions
- The Maximum working temperature is 80 °
- One hour running time under 40% of maximum working pressure is recommended before full capacity working.
- The maximum allowable back pressure is 10MPa, but the recommended back pressure should not exceed 5MPa. a drain pipes is needed when exceeding



How to order:

BM3-100
Series No. |
Size

BM3

(ml/r) Displacement	inch	100	160	200	250	315	400
(LPM) Flow	Cont.	50	50	50	50	50	50
(RPM) Speed	Int..	60	60	60	60	60	60
(MPa) Pressu	Cont.	450	281	226	180	147	121
(N*m) Torque	Int..	540	337	272	216	177	142
	Cont.	14	12.5	12.5	12	12	11
	Int..	16	14	14	13	13	12.5
	Cont.	178	272	330	392	499	581
	Int..	216	306	357	424	540	660

- Intermittent means the entrance of the maximum pressure; continuous working pressure means the differential pressure
- Motor should not work under the highest pressure and the maximum speed
- Recommending N68 anti-wear hydraulic oil, viscosity 37-73cSt, cleanliness ISO18/13.
- The running time should not exceed 10% under intermittent working conditions
- The Maximum working temperature is 80 °
- One hour running time under 40% of maximum working pressure is recommended before full capacity working.
- The maximum allowable back pressure is 10MPa, but the recommended back pressure should not exceed 5MPa. a drain pipes is needed when exceeding



BM4

(ml/r) Displacement	inch	245	310	390	500	630	800
(LPM) Flow	Cont.	80	80	80	80	80	80
	Int..	100	100	100	100	100	100
(RPM) Speed	Cont.	320	250	200	156	120	106
	Int..	390	300	240	200	150	120
(MPa) Pressu	Cont.	14	14	14	14	12.5	10
	Int..	15	15	15	15	13	12
(N*m) Torque	Cont.	435	556	698	870	997	1024
	Int..	502	664	798	1058	1178	1380

How to order:

BM4-245
Series No.
Size

1. Intermittent means the entrance of the maximum pressure; continuous working pressure means the differential pressure
2. Motor should not work under the highest pressure and the maximum speed
3. The running time should not exceed 10% under intermittent working conditions
4. Recommending N68 anti-wear hydraulic oil, viscosity 37-73cSt, cleanliness ISO18/13.
5. The Maximum working temperature is 80 °
6. One hour running time under 40% of maximum working pressure is recommended before full capacity working.
7. The maximum allowable back pressure is 10MPa, but the recommended back pressure should not exceed 5MPa.a drain pipes is needed when exceeding



BM5

(ml/r) Displacement	inch	80	100	125	160	195	245	305	395	500
(LPM) Flow	Cont.	75	75	75	75	75	75	75	75	75
	Int..	85	95	95	115	115	115	115	130	130
(RPM) Speed	Cont.	850	675	552	430	345	287	231	178	142
	Int..	956	855	700	660	529	423	347	308	246
(MPa) Pressu	Cont.	17.5	17.5	17.5	17.5	17.5	17.5	15	15	12
	Int..	28	28	28	25	25	21	17.5	15	15
(N*m) Torque	Cont.	178	223	278	356	445	557	580	715	720
	Int..	285	356	445	509	636	755	763	840	860

How to order:

BM5- 80
Series No.
Size

1. Intermittent means the entrance of the maximum pressure; continuous working pressure means the differential pressure
2. Motor should not work under the highest pressure and the maximum speed
3. The running time should not exceed 10% under intermittent working conditions
4. Recommending N68 anti-wear hydraulic oil, viscosity 37-73cSt, cleanliness ISO18/13.
5. The Maximum working temperature is 80 °
6. One hour running time under 40% of maximum working pressure is recommended before full capacity working.
7. The maximum allowable back pressure is 10MPa, but the recommended back pressure should not exceed 5MPa.a drain pipes is needed when exceeding



BM6

(ml/r) Displacement	inch	195	245	310	390	490	625	800	985
(LPM) Flow	Cont.	150	150	150	150	150	150	150	150
	Int..	170	210	225	225	225	225	225	225
(RPM) Speed	Cont.	776	615	484	385	308	242	186	155
	Int..	865	836	699	572	453	354	275	230
(MPa) Pressu	Cont.	20.5	20.5	20.5	20.5	17	14	12	12
	Int..	31	31	31	31	27.5	17	14	14
(N*m) Torque	Cont.	572	733	928	1156	1213	1331	1378	1565
	Int..	852	1176	1356	1633	1878	1368	1645	1877

How to order:

BM6-195
Series No.
Size

1. Intermittent means the entrance of the maximum pressure; continuous working pressure means the differential pressure
2. Motor should not work under the highest pressure and the maximum speed
3. Recommending N68 anti-wear hydraulic oil, viscosity 37-73cSt, cleanliness ISO18/13.
4. The running time should not exceed 10% under intermittent working conditions
5. The Maximum working temperature is 80 °
6. One hour running time under 40% of maximum working pressure is recommended before full capacity working.
7. The maximum allowable back pressure is 10MPa, but the recommended back pressure should not exceed 5MPa.a drain pipes is needed when exceeding



How to order:

JMDG1-100
Series No.
Size

JMDG1 Radial

TYPE	Displacement ml/r	Pressure(Mpa)		Torque(N.m)		Speed range r/min	Max.cont. Power r/min	Weight kg
		peak pressure	cont. pressure	Rate torque	Theoric Torque			
JMDG1-50	56	32	25	207	8.2	15-1250	16	23
JMDG1-63	64	32	25	237	9.5	15-1250	16	23
JMDG1-80	78	32	25	300	12	15-1000	16	23
JMDG1-100	96	32	25	355	14	15-1000	16	23
JMDG1-125	126	25	20	380	19	15-1000	16	23
JMDG1-160	159	25	20	472	23	15-1000	16	23

JMDG is one kind of low speed high torque radial piston hydraulic motor. It can be widely applied in petroleum industry, chemical industry, mining, shipping, constructing machinery, especially for plastic injection molding machinery, hydraulic winch, transmission etc.



How to order:

JMDG2-175
Series No.
Size

JMDG2 Radial

TYPE	Displacement ml/r	Pressure (Mpa)		Torque (N.m)		Speed range r/min	Max.cont. Power r/min	Weight kg
		peak pressure	cont. pressure	Rate torque	Theoric Torque			
JMDG2-100	113	32	25	420	18	10-1250	25	28
JMDG2-150	157	32	25	581	25	10-1000	25	28
JMDG2-175	176	25	20	532	27	10-1000	25	28
JMDG2-200	201	25	20	600	32	8-800	25	28
JMDG2-250	254	20	16	607	38	8-630	25	28
JMDG2-280	271	20	16	642	40	8-630	25	28

JMDG is one kind of low speed high torque radial piston hydraulic motor. It can be widely applied in petroleum industry, chemical industry, mining, shipping, constructing machinery, especially for plastic injection molding machinery, hydraulic winch, transmission etc.



How to order:

JMDG3-300
Series No.
Size

JMDG3 Radial

TYPE	Displacement ml/r	Pressure (Mpa)		Torque (N.m)		Speed range r/min	Max.cont. Power r/min	Weight kg
		peak pressure	cont. pressure	Rate torque	Theoric Torque			
JMDG3-200	199	32	25	736	29	8-630	37	36
JMDG3-250	254	32	25	949	40	8-630	40	36
JMDG3-300	289	25	20	864	46	6-500	40	36
JMDG3-350	351	25	20	1040	55	6-400	40	36
JMDG3-400	397	20	16	949	63	6-400	40	36

JMDG is one kind of low speed high torque radial piston hydraulic motor. It can be widely applied in petroleum industry, chemical industry, mining, shipping, constructing machinery, especially for plastic injection molding machinery, hydraulic winch, transmission etc.



JMDG6 Radial

TYPE	Displacement ml/r	Pressure(Mpa)		Torque(N.m)		Speed range r/min	Max.cont. Power r/min	Weight kg
		peak pressure	cont. pressure	Rate torque	Theoric Torque			
JMDG6-400	397	32	25	1483	63	5-630	60	65
JMDG6-450	452	32	25	1638	72	5-630	63	65
JMDG6-500	491	25	20	1463	78	5-500	62	65
JMDG6-600	594	25	20	1775	94	4-500	65	65
JMDG6-700	683	20	16	1633	103	4-400	65	65
JMDG6-750	754	20	16	1785	112	4-320	65	65

How to order:

JMDG6-500
Series No.
Size

JMDG is one kind of low speed high torque radial piston hydraulic motor. It can be widely applied in petroleum industry, chemical industry, mining, shipping, constructing machinery, especially for plastic injection molding machinery, hydraulic winch, transmission etc.



JMDG16 Radial

TYPE	Displacement ml/r	Pressure(Mpa)		Torque(N.m)		Speed range r/min	Max.cont. Power r/min	Weight kg
		peak pressure	cont. pressure	Rate torque	Theoric Torque			
JMDG16-1400	1375	32	25	5138	210	2-400	100	160
JMDG16-1600	1648	32	25	6158	262	2-320	110	160
JMDG16-1800	1814	25	20	5433	283	2-320	110	160
JMDG16-2000	2034	25	20	6030	323	2-250	110	160
JMDG16-2400	2412	20	16	5763	384	2-250	97	160

How to order:

JMDG16-1800
Series No.
Size

JMDG is one kind of low speed high torque radial piston hydraulic motor. It can be widely applied in petroleum industry, chemical industry, mining, shipping, constructing machinery, especially for plastic injection molding machinery, hydraulic winch, transmission etc.



JMDG8 Radial

TYPE	Displacement ml/r	Pressure (Mpa)		Torque (N.m)		Speed range r/min	Max.cont. Power r/min	Weight kg
		peak pressure	cont. pressure	Rate torque	Theoric Torque			
JMDG8-600	617	32	25	2282	91	4-500	70	71
JMDG8-700	710	32	25	2626	105	4-400	70	71
JMDG8-800	810	25	20	2396	120	4-400	65	71
JMDG8-900	889	25	20	2629	131	3-350	65	71
JMDG8-1000	1000	20	16	2366	148	3-300	65	71

How to order:

JMDG8-600
Series No.
Size

JMDG is one kind of low speed high torque radial piston hydraulic motor. It can be widely applied in petroleum industry, chemical industry, mining, shipping, constructing machinery, especially for plastic injection molding machinery, hydraulic winch, transmission etc.



JMDG31 Radial

TYPE	Displacement ml/r	Pressure(Mpa)		Torque(N.m)		Speed range r/min	Max.cont. Power r/min	Weight kg
		peak pressure	cont. pressure	Rate torque	Theoric Torque			
JMDG31-2500	2550	32	25	9523	405	1-200	150	325
JMDG31-2800	2826	32	25	10559	443	1-200	150	325
JMDG31-3000	3050	25	20	9135	485	1-200	140	325
JMDG31-3150	3142	25	20	9392	500	1-200	140	325
JMDG31-3500	3419	25	20	10220	544	1-200	140	325
JMDG31-4000	4170	25	20	12841	665	1-160	130	325
JMDG31-4500	4522	20	16	10698	669	1-160	130	325
JMDG31-5000	5190	20	16	12387	825	1-160	130	325

How to order:

JMDG31-3500
Series No.
Size

JMDG is one kind of low speed high torque radial piston hydraulic motor. It can be widely applied in petroleum industry, chemical industry, mining, shipping, constructing machinery, especially for plastic injection molding machinery, hydraulic winch, transmission etc.



JMDG11 Radial

TYPE	Displacement ml/r	Pressure (Mpa)		Torque (N.m)		Speed range r/min	Max.cont. Power r/min	Weight kg
		peak pressure	cont. pressure	Rate torque	Theoric Torque			
JMDG11-700	714	32	25	2667	114	4-400	80	90
JMDG11-800	782	32	25	2959	120	4-400	80	90
JMDG11-1000	995	25	20	2974	158	3-320	85	90
JMDG11-1100	1116	25	20	3336	177	3-320	85	90
JMDG11-1200	1175	25	20	3512	187	3-320	85	90
JMDG11-1300	1296	20	16	3080	206	3-250	80	90

How to order:

JMDG11-800
Series No.
Size

JMDG is one kind of low speed high torque radial piston hydraulic motor. It can be widely applied in petroleum industry, chemical industry, mining, shipping, constructing machinery, especially for plastic injection molding machinery, hydraulic winch, transmission etc.



JMDG71 Radial

TYPE	Displacement ml/r	Pressure(Mpa)		Torque(N.m)		Speed range r/min	Max.cont. Power r/min	Weight kg
		peak pressure	cont. pressure	Rate torque	Theoric Torque			
JMDG71-4600	4617	25	20	13624	735	1-150	145	415
JMDG71-5400	5459	25	20	16168	869	1-125	145	415
JMDG71-6300	6361	20	16	16050	1000	1-120	145	415

How to order:

JMDG71-4600
Series No.
Size

JMDG is one kind of low speed high torque radial piston hydraulic motor. It can be widely applied in petroleum industry, chemical industry, mining, shipping, constructing machinery, especially for plastic injection molding machinery, hydraulic winch, transmission etc.



JMDG100 Radial

TYPE	Displacement ml/r	Pressure(Mpa)		Torque(N.m)		Speed range r/min	Max.cont. Power r/min	Weight kg
		peak pressure	cont. pressure	Rate torque	Theoric Torque			
JMDG100-6300	6133	32	25	22916	975	0.5-125	168	700
JMDG100-8000	7693	32	25	28744	1223	0.5-125	168	700
JMDG100-10000	10688	25	20	31942	1699	0.3-100	200	700

How to order:

JMDG100-6300
Series No. | Size

JMDG is one kind of low speed high torque radial piston hydraulic motor. It can be widely applied in petroleum industry, chemical industry, mining, shipping, constructing machinery, especially for plastic injection molding machinery, hydraulic winch, transmission etc.



JMDG160 Radial

TYPE	Displacement ml/r	Pressure(Mpa)		Torque(N.m)		Speed range r/min	Max.cont. Power r/min	Weight kg
		peak pressure	cont. pressure	Rate torque	Theoric Torque			
JMDG160-12500	13335	25	20	39433	1972	0.3-80	220	1000
JMDG160-16000	16040	20	16	37948	2554	0.3-63	220	1000

How to order:

JMDG160-12500
Series No. | Size

JMDG is one kind of low speed high torque radial piston hydraulic motor. It can be widely applied in petroleum industry, chemical industry, mining, shipping, constructing machinery, especially for plastic injection molding machinery, hydraulic winch, transmission etc.



Smooth & wrapped steel wire reinforced rubber cover hydraulic hose

Construction:

This hose shall consist of an inner tube of oil resistant synthetic rubber, one braid of steel wire reinforcement, and an oil and weather resistant synthetic rubber cover.

Applications:

This section covers hose for use with petroleum base hydraulic fluids within a temperature range of -40°C ~+100°C .

Metric Size	Inch Size	SAE	I.D		W.D		O.D			Max working pressure		Testing pressure		Min burst pressure		Min Bent Rate		Weight
			Min	Max	Min	Max	A Type	AT Type		Mpa	Psi	Mpa	Psi	Mpa	Psi	inch	Mm	
5	3/16	-3	4.6	5.4	8.9	10.1	11.9	13.5	12.5	21	3045	42	6090	84	12180	3.54	90	0.20
6.3	1/4	-4	6.2	7	10.6	11.7	15.1	16.7	14.1	19.2	2780	39	5580	77	11165	3.94	100	0.25
8	5/16	-5	7.7	8.5	12.1	13.3	16.7	18.3	15.7	17.5	2540	35	5075	70	10150	4.53	115	0.31
10	3/8	-6	9.3	10.1	14.5	15.7	19.0	20.6	18.1	15.7	2280	32	4570	63	9135	5.12	130	0.36
12.5	1/2	-8	12.3	13.5	17.5	19	22.2	23.8	21.5	14.0	2030	28	4060	56	8120	7.09	180	0.45
16	5/8	-10	15.5	16.7	20.6	22.2	25.4	27.0	24.7	10.5	1520	21	3045	42	6090	7.87	205	0.52
19	3/4	-12	18.6	19.8	24.6	26.2	29.4	31.0	28.6	8.7	1260	18	2540	35	5075	9.45	240	0.65
25	1	-16	25	26.4	32.5	34.1	37.1	39.1	36.6	7.0	1015	14	2030	28	4060	11.81	300	0.91
31.5	1-1/4	-20	31.4	33	39.3	41.7	44.4	47.6	44.8	4.3	620	8.7	1260	18	2540	16.54	420	1.30
38	1-1/2	-24	37.7	39.3	45.6	48.0	50.8	54.0	52.0	3.5	510	7	1015	14	2030	19.69	500	1.70
51	2	-32	50.4	52	58.7	61.9	65.1	68.3	65.9	2.6	380	5.2	750	11	1520	24.8	630	2.00



Smooth & wrapped high pressure, steel wire reinforced rubber covered hydraulic hose

Construction:

This hose shall consist of an inner tube of oil resistant synthetic rubber, two braids of steel wire reinforcement, and an oil and weather resistant synthetic rubber cover.

Applications:

This section covers hose for use with petroleum base hydraulic fluids within a temperature range of -40°C ~+100°C .

Metric Size	Inch Size	SAE	I.D		W.D		O.D			Max working pressure		Testing pressure		Min burst pressure		Min Bent Rate		Weight
			Min	Max	Min	Max	A Type	AT Type		Mpa	Psi	Mpa	Psi	Mpa	Psi	inch	Mm	
5	3/16	-3	4.6	5.4	10.6	11.7	15.1	16.7	14.1	35	5075	70	10150	140	20300	3.54	90	0.32
6.3	1/4	-4	6.2	7	12.1	13.3	16.7	18.3	15.7	35	5075	70	10150	140	20300	3.94	100	0.36
8	5/16	-5	7.7	8.5	13.7	14.9	18.3	19.8	17.3	29.7	4310	60	8630	119	17255	4.53	115	0.45
10	3/8	-6	9.3	10.1	16.1	17.3	20.6	22.2	19.7	28	4060	56	8120	112	16240	4.92	125	0.54
12.5	1/2	-8	12.3	13.5	19	20.6	23.8	25.4	23.1	24.5	3550	49	7110	98	14210	7.09	180	0.68
16	5/8	-10	15.5	16.7	22.2	23.8	27	28.6	26.3	19.2	2780	39	5580	77	11165	8.07	205	0.8
19	3/4	-12	18.6	19.8	26.2	27.8	31	32.5	30.2	15.7	2280	32	4570	63	9135	9.45	240	0.94
25	1	-16	25	26.4	34.1	35.7	38.5	40.9	38.9	14	2030	28	4060	56	8120	11.81	300	1.35
31.5	1-1/4	-20	31.4	33	43.3	45.7	49.2	52.4	49.6	11.3	1640	23	3290	46	6600	16.54	420	2.15
38	1-1/2	-24	37.7	39.3	49.6	52	55.6	58.7	56	8.7	1260	18	2540	35	5075	19.69	500	2.65
51	2	-32	50.4	52	62.3	64.7	68.3	71.4	68.6	7.8	1130	16	2280	32	4570	24.8	630	3.42

QINGFLEX SAE 100 R9



High pressure, four spiral steel wire reinforced rubber covered hydraulic hose

Construction:
This hose shall consist of an inner tube of oil resistant synthetic rubber, four spiral plies of steel wire wrapped in alternating directions, and an oil and weather resistant synthetic rubber cover.

Applications:
This section covers hose for use with petroleum base hydraulic fluids within a temperature range of -40°C ~+100°C .

Metric Size	Inch Size	SAE	I.D		W.D		O.D			Max working pressure		Testing pressure		Min burst pressure		Min Bent Rate		Weight
			Min	Max	Min	Max	A Type		Mpa	Psi	Mpa	Psi	Mpa	Psi	inch	Mm		
							Min	Max									Max	
10	3/8	-6	9.3	10.1	16.9	18	20.6	22.2	21.1	31.5	4570	63	9135	126	18270	4.92	125	0.7
12.5	1/2	-8	12.3	13.5	19.4	21	23.8	25.4	24.3	28	4060	56	8120	112	16240	7.09	180	0.83
19	3/4	-12	18.6	19.8	26.6	28.2	30.6	32.2	31.9	21	3045	42	6090	84	12180	9.45	240	1.30
25	1	-16	25	26.4	34.5	36.1	38.5	40.9	40.5	21	3045	42	6090	84	12180	11.81	300	1.70
31.5	1-1/4	-20	31.4	33	43.3	45.6	49.2	52.4	50.7	17.5	2540	35	5075	70	10150	16.54	420	3.08
38	1-1/2	-24	37.7	39.3	49.6	52	55.6	58.7	-	14	2030	28	4060	56	8120	19.69	500	4.30
51	2	-32	50.4	52	63.9	66.2	69.9	73	-	14	2030	28	4060	56	8120	25.98	660	5.63

QINGFLEX SAE 100 R12



Heavy duty, high impulse, four steel spiral wire reinforced, rubber covered hydraulic hose

Construction:
This hose shall consist of an inner tube of oil resistant synthetic rubber, four spiral plies of steel wire wrapped in alternating directions, and an oil and weather resistant synthetic rubber cover.

Applications:
This section covers hose for use with petroleum base hydraulic fluids within a temperature range of -40°C ~+121°C .

Metric Size	Inch Size	SAE	I.D		W.D		O.D		Max working pressure		Testing pressure		Min burst pressure		Min Bent Rate		Weight
			Min	Max	Min	Max	Min	Max	Mpa	Psi	Mpa	Psi	Mpa	Psi	inch	Mm	
10	3/8	-6	9.3	10.1	16.6	17.8	19.5	21	28	4060	56	8120	112	16240	4.92	125	0.70
12.5	1/2	-8	12.3	13.5	19.9	21.5	23	24.6	28	4060	56	8120	112	16240	7.09	180	0.83
16	5/8	-10	15.5	16.7	23.8	25.4	26.6	28.2	28	4060	56	8120	112	16240	7.87	200	1.12
19	3/4	-12	18.6	19.8	26.9	28.4	29.9	31.5	28	4060	56	8120	112	16240	9.45	240	1.43
25	1	-16	25	26.4	34.1	35.7	36.8	39.2	28	4060	56	8120	112	16240	11.81	300	2.00
31.5	1-1/4	-20	31.4	33	42.7	45.1	45.4	48.6	21	3045	42	6090	84	12180	16.54	420	2.80
38	1-1/2	-24	37.7	39.3	49.2	51.6	51.9	55	17.5	2540	35	5075	70	10150	19.69	500	3.40
51	2	-32	50.8	52	62.5	64.8	65.1	68.3	17.5	2540	35	5075	70	10150	25.20	640	4.25

QINGFLEX EN 853 1SN/1ST



Smooth & wrapped wire braided hydraulic hose

Construction:
This hose shall consist of an inner tube of oil resistant synthetic rubber, one braid of steel wire reinforcement, and an oil and weather resistant synthetic rubber cover.

Applications:
This section covers hose for use with petroleum base hydraulic fluids within a temperature range of -40°C ~+100°C .

Metric Size	Inch Size	SAE	I.D		W.D		O.D			Max working pressure		Testing pressure		Min burst pressure		Min Bent Rate		Weight
			Min	Max	Min	Max	1ST Type		Mpa	Psi	Mpa	Psi	Mpa	Psi	inch	Mm		
							Min	Max									Max	
5	3/16	-3	4.6	5.4	9	10	11.9	13.5	12.5	25	3625	50	7250	100	14500	3.54	90	0.20
6.3	1/4	-4	6.2	7	10.6	11.6	15.1	16.7	14.1	22.5	3260	45	6525	90	13050	3.94	100	0.25
8	5/16	-5	7.7	8.5	12.1	13.3	16.7	18.3	15.7	21.5	3120	43	6235	85	12325	4.53	115	0.31
10	3/8	-6	9.3	10.1	14.5	15.7	19	20.6	18.1	18	2610	36	5220	72	10440	5.12	130	0.36
12.5	1/2	-8	12.3	13.5	17.5	19.1	22.2	23.8	21.4	16	2320	32	4640	64	9280	7.09	180	0.45
16	5/8	-10	15.5	16.7	20.6	22.2	25.4	27	24.5	13	1885	26	3770	52	7540	7.87	200	0.52
19	3/4	-12	18.6	19.8	24.6	26.2	29.4	31	28.5	10.5	1520	21	3045	42	6090	9.45	240	0.65
25	1	-16	25	26.4	32.5	34.1	37.1	39.1	36.6	8.8	1280	17.5	2540	35	5075	11.81	300	0.91
31.5	1 1/4	-20	31.4	33	39.3	41.7	44.4	47.6	44.8	6.3	910	15	2175	25	3625	16.54	420	1.30
38	1 1/2	-24	37.7	39.3	45.6	48	50.8	54	52.1	5	725	10	1450	20	2900	19.69	500	1.70
51	2	-32	50.4	52	58.7	61.7	65.1	68.3	65.5	4	580	8	1160	16	2320	24.80	630	2.00

QINGFLEX EN 853 2SN/2ST



Smooth & wrapped steel wire reinforced rubber cover hydraulic hose

Construction:
This hose shall consist of an inner tube of oil resistant synthetic rubber, two braids of steel wire reinforcement, and an weather resistant synthetic rubber cover.

Applications:
This section covers hose for use with petroleum base hydraulic fluids within a temperature range of -40°C ~+100°C .

Metric Size	Inch Size	SAE	I.D		W.D		O.D			Max working pressure		Testing pressure		Min burst pressure		Min Bent Rate		Weight
			Min	Max	Min	Max	2ST Type		Mpa	Psi	Mpa	Psi	Mpa	Psi	inch	Mm		
							Min	Max									Max	
5	3/16	-3	4.6	5.4	10.6	11.6	15.1	16.7	14.1	41.5	6020	83	12035	165	23295	3.54	90	0.32
6.3	1/4	-4	6.2	7.0	12.1	13.3	16.7	18.3	15.7	40	5800	80	11600	160	23200	3.94	100	0.36
8	5/16	-5	7.7	8.5	13.7	14.9	18.3	19.9	17.3	35	5075	70	10150	140	20300	4.53	115	0.45
10	3/8	-6	9.3	10.1	16.1	17.3	20.6	22.2	19.7	33	4785	66	9570	132	19140	5.12	130	0.54
12.5	1/2	-8	12.3	13.5	19.0	20.6	23.8	25.4	23.0	27.5	3990	55	7975	110	15950	7.09	180	0.68
16	5/8	-10	15.5	16.7	22.2	23.8	27	28.6	26.2	25	3625	50	7250	100	14500	7.87	200	0.80
19	3/4	-12	18.6	19.8	26.2	27.8	31	32.6	30.1	21.5	3120	43	6235	85	12325	9.45	240	0.94
25	1	-16	25	26.4	34.1	35.7	38.5	40.9	38.9	16.5	2390	32.5	4710	65	9425	11.81	300	1.35
31.5	1-1/4	-20	31.4	33	43.3	45.7	49.2	52.4	49.5	12.5	1810	25	3625	50	7250	16.54	420	2.15
38	1-1/2	-24	37.7	39.3	49.6	52	55.6	58.8	55.9	9	1305	18	2610	36	5220	19.69	500	2.65
51	2	-32	50.4	52	62.3	64.7	68.2	71.4	68.6	8	1160	16	2320	32	4640	24.80	630	3.42

QINGFLEX EN 856 4SP



Wire spiral hydraulic hose

Construction:
This hose shall consist of an inner tube of oil resistant synthetic rubber, four spiral plis of steel wire wrapped in alternating directions, and an oil and weather resistant synthetic rubber cover.

Applications:
This section covers hose for use with petroleum base hydraulic fluids within a temperature range of -40°C ~+100°C .

Metric Size	Inch Size	SAE dash	I.D		W.D		O.D		Max working pressure		Testing pressure		Min burst pressure		Min Bent Rate		Weight Kg/m
			Min	Max	Min	Max	Min	Max	Mpa	Psi	Mpa	Psi	Mpa	Psi	inch	Mm	
6.3	1/4	-4	6.2	7	14.1	15.3	17.1	18.7	45	6525	90	13050	180	26100	5.91	150	0.64
10	3/8	-6	9.3	10.1	16.9	18.1	20.6	22.2	44.5	6450	89	12905	178	25810	7.09	180	0.75
12.5	1/2	-8	12.3	13.5	19.4	21	23.8	25.4	41.5	6020	83	12035	166	24070	9.06	230	0.89
16	5/8	-10	15.5	16.7	23	24.6	27.4	29	35	5075	70	10150	140	20300	9.84	250	1.10
19	3/4	-12	18.6	19.8	27.4	29	31.4	33	35	5075	70	10150	148	21460	11.81	300	1.50
25	1	-16	25	26.4	34.5	36.1	38.5	40.9	28	4060	56	8120	112	16240	13.39	340	2.00
31.5	1-1/4	-20	31.4	33	45	47	49.2	52.4	21	3045	42	6090	84	12180	18.11	460	3.00
38	1-1/2	-24	37.7	39.3	51.4	53.4	55.6	58.8	18.5	2680	37	5365	74	10730	22.05	560	3.40
51	2	-32	50.4	52	64.3	66.3	68.2	71.4	16.5	2390	33	4785	66	9570	25.98	660	4.35

QINGFLEX EN 856 4SH



Wire spiral hydraulic hose

Construction:
This hose shall consist of an inner tube of oil resistant synthetic rubber, four spiral plis of steel wire wrapped in alternating directions, and an oil and weather resistant synthetic rubber cover.

Applications:
This section covers hose for use with petroleum base hydraulic fluids within a temperature range of -40°C ~+100°C .

Metric Size	Inch Size	SAE dash	I.D		W.D		O.D		Max working pressure		Testing pressure		Min burst pressure		Min Bent Rate		Weight Kg/m
			Min	Max	Min	Max	Min	Max	Mpa	Psi	Mpa	Psi	Mpa	Psi	inch	Mm	
19	3/4	-12	18.6	19.8	27.6	29.2	31.4	33	42	6090	84	12180	168	24360	11.02	280	1.7
25	1	-16	25	26.4	34.4	36	37.5	39.9	38	5510	76	11020	152	22040	13.39	340	2.5
31.5	1-1/4	-20	31.4	33	40.9	42.9	43.9	47.1	32.5	4710	65	9425	130	18850	18.11	460	3.0
38	1-1/2	-24	37.7	39.3	47.8	49.8	51.9	55.1	29	4205	58	8410	116	16820	22.05	560	3.6
51	2	-32	50.4	52	62.2	64.2	66.5	69.7	25	3625	50	7250	100	14500	27.56	700	5.0



Air / water hose

Construction:
Tube:SBR blended, black, smooth or wrapped surface
Reinforcement:textile braided high tensile synthetic yarn
Cover: EPDM/SBR black, or red yellow, weather and ozone resistant

Applications:
Wide range service in general industrial services, mobiles shop pneumatic tools, gardens, garage spray, watering lawns etc.
Temperature: -35°C ~+80°C .

Metric Size	Inch Size	Wall thickness	Working pressure	Burst pressure	Min Bent Rate	Weight
mm	inch	mm	BAR	BAR	mm	Kg/m
6.3	1/4	3.5	20	60/80	35	0.17
8	5/16	3.5	20	60/80	50	0.25
10	3/8	3.5	20	60/80	60	0.29
13	1/2	4	20	60/80	60	0.42
16	5/8	4.5	20	60/80	90	0.48
19	3/4	5	20	60/80	110	0.60
25	1	5.5	20	60/80	130	0.83
32	1-1/4	6	20	60/80	230	0.94
38	1-1/2	6	20	60/80	270	1.08
51	2	7	20	60/80	400	1.80



Fuel oil hose

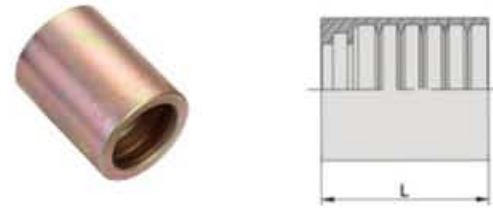
Construction:
Tube:SBR blended, black, smooth or wrapped surface
Reinforcement:textile braided high tensile synthetic yarn
Cover: EPDM/SBR black, or red yellow, weather and ozone resistant

Applications:
For transportation of hydraulic oil, lubricating oil and fuel oil etc. Temperature: -30°C ~+80°C .

Metric Size	Inch Size	Wall thickness	Working pressure	Burst pressure	Min Bent Rate	Weight
mm	inch	mm	BAR	BAR	mm	Kg/m
6.3	1/4	3.5	16/20	50/60	23	0.16
8	5/16	3.5	16/20	50/60	28	0.23
10	3/8	3.5	16/20	50/60	35	0.26
13	1/2	4	12	40	53	0.35
13	1/2	4.5	16	50	58	0.42
16	5/8	4	12	40	70	0.36
16	5/8	4.5	16	50	78	0.43
19	3/4	4.5	12	40	95	0.45
19	3/4	5	16	60	105	0.54
25	1	4.5	12	40	120	0.60
25	1	5	16	50	130	0.67

00110-A

SAE 100 R1AT/EN 853 1SN
FERRULE FOR SAE 100R1AT/EN 853 1SN HOSE



Part No.	Hose bore		Dimensions L
	DN	DASH	
00110-03A	5	03	23
00110-04A	6	04	30.5
00110-05A	8	05	30
00110-06A	10	06	32
00110-08A	12	08	34
00110-10A	16	10	37
00110-12A	20	12	42
00110-16A	25	16	51

00210

SAE 100 R2AT/DIN20022 2SN
FERRULE FOR SAE 100R2AT/DIN20022 2SN HOSE

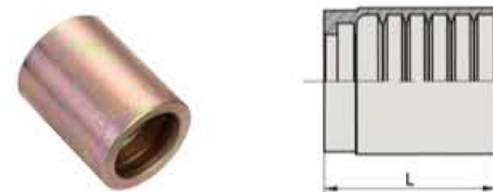


Part No.	Hose bore		Dimensions L
	DN	DASH	
00210-03	5	03	27
00210-04	6	04	30
00210-05	8	05	31
00210-06	10	06	32
00210-08	12	08	34
00210-10	16	10	37
00210-12	20	12	43
00210-16	25	16	50
00210-20	32	20	59
00210-24	40	24	74
00210-32	50	32	78

Don't recommend for engineering machine

03310

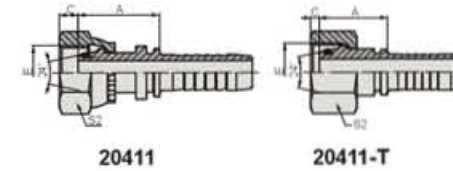
SAE 100 R2AT/EN 853 2SN
FERRULE FOR SAE 100R2AT/EN 853 2SN HOSE



Part No.	Hose bore		Dimensions L
	DN	DASH	
03310-03	5	03	23
03310-04	6	04	30.5
03310-05	8	05	30
03310-06	10	06	32
03310-08	12	08	34
03310-10	16	10	37
03310-12	20	12	42
03310-16	25	16	51



Note: 1. For use with braided hoses.
2. If use with spical hoses, hose fitting series number is 22112-xx-xx



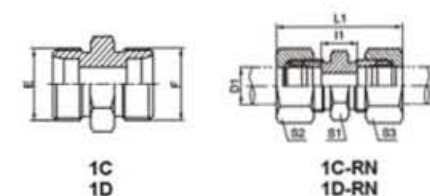
**METRI FLMALE 24° CONE
O-RING L.T. ISO 12151-2-DIN3865**

Part No.	Thread	Hose bore		Tube O.D.	O-ring	Dimensions		
		DA	DASH			A	B	C
20411-12-04	M12X1.5	6	04	6	O04.5X1.5	26	1	17
20411-14-04	M14X1.5	6	04	8	O06.5X1.5	27.5	2	19
20411-14-06	M14X1.5	10	06	8	O06.5X1.5	27.5	2	19
20411-16-04	M16X1.5	6	04	10	O08.0X1.5	28	2	22
20411-16-05	M16X1.5	8	05	10	O08.0X1.5	28	2	22
20411-16-06	M16X1.5	10	06	10	O08.0X1.5	28	2	22
20411-18-05T	M18X1.5	8	05	12	O10.0X1.5	27.5	1.8	22
20411-18-06	M18X1.5	10	05	12	O10.0X1.5	29	2.5	24
20411-18-08	M18X1.5	12	08	12	O10.0X1.5	29.5	2.5	24
20411-22-05T	M22X1.5	8	05	15	O12.0X2.0	29.5	2.1	27
20411-22-06T	M22X1.5	10	06	15	O12.0X2.0	29	2.5	27
20411-22-08	M22X1.5	12	08	15	O12.0X2.0	32	2.5	27
20411-26-10	M26X1.5	16	10	18	O15.0X2.0	35	2.5	32
20411-26-12	M26X1.5	20	12	18	O15.0X2.0	35	2.5	32
20411-27-10T	M27X1.5	16	10	18	O15.0X2.0	28	2.5	32
20411-27-12	M27X1.5	20	12	18	O15.0X2.0	35	2.5	32
20411-30-10T	M30X2	16	10	22	O20.0X2.0	35	4	36
20411-30-12	M30X2	20	12	22	O20.0X2.0	38	4	36
20411-30-12	M36X2	20	12	28	O26.0X2.0	35	4	41
20411-36-12T	M36X2	22	14	28	O26.0X2.0	36	4	41
20411-45-16T	M45X2	25	16	35	O32.0X2.5	41	5	55
20411-45-20T	M45X2	32	20	35	O32.0X2.5	42	5	55
20411-52-20T	M52X2	32	20	42	O38.0X2.5	44	5.5	60
20411-52-24T	M52X2	40	24	42	O38.0X2.5	44	5.5	60

STRAIGHT FITTINGS



Note: In case if you are interested to order the adapter in complete set with cutting ring and nut, it is necessary to insert suffix "RN" after our Part No., for example 1C-30RN

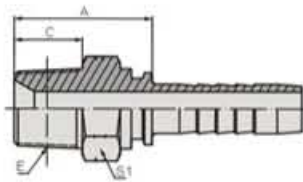


Part No.	Thread		Tube O.D.	Dimensions						MPa
	E	F		D1	D2	I1	L1	S1	S2	
1C-12	M12X1.5	M12X1.5	6	6	10	39	12	14	14	31.5 Light series L
1C-14	M14X1.5	M14X1.5	8	8	11	40	14	17	17	
1C-16	M16X1.5	M16X1.5	10	10	13	42	17	19	19	
1C-18	M18X1.5	M18X1.5	12	12	14	43	19	22	22	
1C-22	M22X1.5	M22X1.5	15	15	16	46	24	27	27	16 Light series L
1C-26	M26X1.5	M26X1.5	18	18	16	48	27	32	32	
1C-30	M30X2	M30X2	22	22	20	52	32	41	36	
1C-36	M36X2	M36X2	22	22	21	54	41	46	41	
1C-45	M45X2	M45X2	28	28	20	63	46	55	50	40 heavy series S
1C-52	M52X2	M52X2	35	35	21	66	55	17	60	
1D-16	M16X1.5	M16X1.5	42	42	18	47	17	19	19	
1D-18	M18X1.5	M18X1.5	10	10	17	49	19	22	22	
1D-20	M20X1.5	M20X1.5	12	12	19	51	22	24	24	63 heavy series S
1D-22	M22X1.5	M22X1.5	14	14	22	57	24	27	27	
1D-24	M24X1.5	M24X1.5	16	16	21	57	27	32	30	
1D-30	M30X2	M30X2	20	20	23	66	32	41	36	
1D-36	M36X2	M36X2	25	25	26	74	41	46	46	31.5 heavy series S
1D-42	M42X2	M42X2	30	30	27	80	46	50	50	
1D-52	M42X2	M42X2	38	38	29	90	55	60	60	

15611
NPTMALE



Note: 1. For use with braided hoses
2. If use with spiral hoses, hose fitting series number is 15612-xx-xx

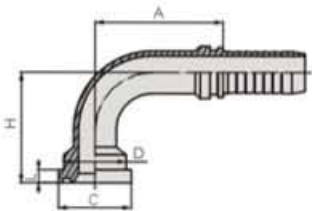


Part No.	Thread e	hose bore		Dimensions		
		DN	DAS	A	C	S1
15611-02-03	Z1/8"X27	5	03	22.5	10.5	12
15611-02-04	Z1/8"X27	6	04	22.5	10.5	12
15611-04-03	Z1/4"X18	5	03	27.5	15	17
15611-04-04	Z1/4"X18	6	04	28	15	17
15611-04-05	Z1/4"X18	8	05	28	15	17
15611-04-06	Z1/4"X18	10	06	27	15	17
15611-06-04	Z3/8"X18	6	04	28	16	19
15611-06-05	Z3/8"X18	8	05	28	16	19
15611-06-06	Z3/8"X18	10	06	30	16	19
15611-06-08	Z3/8"X18	12	08	30.5	16	19
15611-08-06	Z1/2"X14	10	06	34.5	19.5	22
15611-08-08	Z1/2"X14	12	08	34.5	19.5	22
15611-08-10	Z1/2"X14	16	10	36	19.5	22
15611-12-08	Z3/4"X14	12	08	37.5	19.5	27
15611-12-10	Z3/4"X14	16	10	38	19.5	27
15611-12-12	Z3/4"X14	20	12	38.5	19.5	27
15611-12-16	Z3/4"X14	25	16	39.5	19.5	32
15611-16-10	Z1"X11.5	16	10	45	25.5	36
15611-16-12	Z1"X11.5	20	12	45	25.5	36
15611-16-16	Z1"X11.5	25	16	44.5	25.5	36
15611-20-16	Z1-1/4"X11.5	25	16	49.5	26.5	46
15611-20-20	Z1-1/4"X11.5	32	20	49	26.5	46
15611-24-24	Z1-1/2"X11.5	40	24	51	27.5	50
15611-32-32	Z2"X11.5	50	32	55	27.5	65

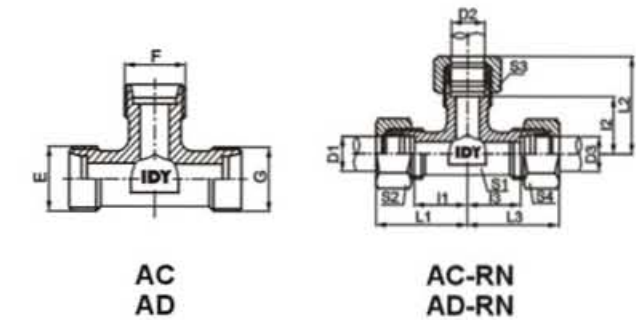
87391
90°SAE FLANGE 3000 PSI
ISO 12151-3- SAE J516



Note: 1. For use with braided hoses
2. If use with spiral hoses, hose fitting series number is 87392-xx-xx



Part No.	Flange Size	Hose bore		Dimensions				
		DN	DASH	A	C	D	H	L
87391-08-08	1/2"	12	08	41	30.2	24	47	6.73
87391-12-08	3/4"	12	08	41	38.1	31.7	48	6.73
87391-12-10	3/4"	16	10	56.5	38.1	31.7	52.5	6.73
87391-12-12	3/4"	20	12	66.2	38.1	31.7	62	6.73
87391-12-12(H100)	3/4"	20	12	65.5	38.1	31.7	100	6.73
87391-12-12(H127)	3/4"	20	12	65.5	38.1	31.7	127	6.73
87391-12-12(H150)	3/4"	20	12	65.5	38.1	31.7	150	6.73
87391-12-16	3/4"	25	16	76.7	38.1	31.7	67.5	6.73
87391-16-12	1"	20	12	66.2	44.4	38	62	8
87391-16-16	1"	25	16	78	44.4	38	67.5	8
87391-16-16(H100)	1"	25	16	76.7	44.4	38	100	8
87391-16-16(H127)	1"	25	16	76.7	44.4	38	127	8
87391-16-16(H150)	1"	25	16	76.7	44.4	38	150	8
87391-16-20	1"	32	20	91.5	44.4	38	78.5	8
87391-20-16	1-1/4"	25	16	78	50.8	43	67.5	8
87391-20-20	1-1/4"	32	20	91.5	50.8	43	78.5	8
87391-20-20(H120)	1-1/4"	32	20	91.5	50.8	43	100	8
87391-20-20(H127)	1-1/4"	32	20	91.5	50.8	43	127	8
87391-20-20(H150)	1-1/4"	32	20	91.5	50.8	43	150	8
87391-20-24	1-1/4"	40	24	108.5	50.8	43	78.5	8
87391-24-20	1-1/2"	32	20	91.5	60.3	50	80.5	8
87391-24-24	1-1/2"	40	24	109.4	60.3	50	94	8
87391-24-24(H127)	1-1/2"	40	24	109.4	60.3	50	127	8
87391-32-24	2"	40	24	109.4	71.4	62	94	9.53
87391-32-32	2"	50	32	131.8	71.4	62	114.3	9.53
87391-40-32	2-1/2"	50	32	131.8	84.1	74.4	114.3	9.53



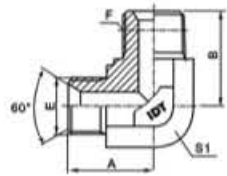
Note: In case if you are interested to order the adapter in complete set with cutting ring and nut, it is necessary to insert suffix "RN" after our Part No., for example AC-22RN.

EQUAL TEES

Part No.	THREAD E,F,G	TUBEO.D. D1,D2,D3	DIMENSIONS				MPa
			I1,I2,I3	L1,L2,L3	S1	S2,S3,S4	
AC-08	M8X1	4	11	21	9	10	10 Special light series LL
AC-10	M10X1	5	9.5	21	9	12	
AC-10A	M10X1	6	9.5	21	9	12	
AC-12A	M12X1	8	11.5	23	12	14	25 light series L
AC-12	M12X1.5	6	12	27	12	14	
AC-14	M14X1.5	8	14	29	12	17	
AC-16	M16X1.5	10	15	30	14	19	
AC-18	M18X1.5	12	17	32	17	22	
AC-22	M22X1.5	15	21	36	19	27	
AC-26	M26X1.5	18	23.5	40	24	32	16 Light series L
AC-30	M30X2	22	27.5	44	27	36	
AC-36	M36X2	28	30.5	47	36	41	
AC-45	M45X2	35	34.5	56	41	50	
AC-52	M52X2	42	40	63	50	60	
AD-14	M14X1.5	6	16	31	12	17	63 heavy series S
AD-16	M16X1.5	8	17	32	14	19	
AD-18	M18X1.5	10	17.5	34	17	22	
AD-20	M20X1.5	12	21.5	38	17	24	
AD-22	M22X1.5	14	22	40	19	27	40 heavy series S
AD-24	M24X1.5	16	24.5	43	24	30	
AD-30	M30X2	20	26.5	48	27	36	
AD-36	M36X2	25	30	54	36	46	
AD-42	M42X2	30	35.5	62	41	50	31.5 heavy series S
AD-52	M52X2	38	41	72	50	60	

1BT9-SP

90° ELBOW BSP MALE 60° SEAT/BAPT MALE



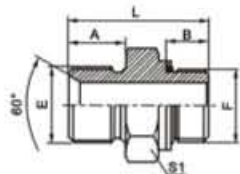
Part No.	THREAD		DIMENSIONS		
	E	F	A	B	S1
1BT9-02SP	G1/8"X28	R1/8"X28	20	21	11
1BT9-02-04SP	G1/8"X28	R1/4"X19	22.3	25.5	14
1BT9-04SP	G1/4"X19	R1/4"X19	24.5	25.5	14
1BT9-04-02SP	G1/4"X19	R1/8"X28	25	23.5	14
1BT9-04-06SP	G1/4"X19	R3/8"X19	25	28.5	16
1BT9-04-08SP	G1/4"X19	R1/2"X14	30	36	22
1BT9-06SP	G3/8"X19	R3/8"X19	27.5	28.5	16
1BT9-06-04SP	G3/8"X19	R1/4"X19	27.5	26.5	16
1BT9-06-08SP	G3/8"X19	R1/2"X14	31	36	22
1BT9-08SP	G1/2"X14	R1/2"X14	34.5	36	22
1BT9-08-04SP	G1/2"X14	R1/4"X19	34.5	30.5	22
1BT9-08-06SP	G1/2"X14	R3/8"X19	34.5	32.5	22
1BT9-08-12SP	G1/2"X14	R3/4"X14	37.5	43.5	27
1BT9-08-16SP	G1/2"X14	R1"X11	41	50	33
1BT9-10-08SP	G5/8"X14	R1/2"X14	35	36	22
1BT9-10-12SP	G5/8"X14	R3/4"X14	39	43.5	27
1BT9-12SP	G3/4"X14	R3/4"X14	40	43	27
1BT9-12-06SP	G3/4"X14	R3/8"X19	40	36	27
1BT9-12-08SP	G3/4"X14	R1/2"X14	40	39.5	27
1BT9-12-16SP	G3/4"X14	R1"X11	43.5	50	33
1BT912-20SP	G3/4"X14	R1-1/4"X11	48	56.5	41
1BT9-16SP	G1"X11	R1"X11	46	50	33
1BT9-16-08SP	G1"X11	R1/2"X14	46	43	33
1BT9-16-12SP	G1"X11	R3/4"X14	46	47.5	33
1BT9-16-20SP	G1"X11	R1-1/4"X11	50.5	56.5	41
1BT9-20SP	G1-1/4"X11	R1-1/4"X11	52	59	41
1BT9-20-12SP	G1-1/4"X11	R3/4"X14	50.5	54	41
1BT9-20-16SP	G1-1/4"X11	R1"X11	52	56.5	41
1BT9-20-24SP	G1-1/4"X11	R1-1/2"X11	54.5	62.5	48
1BT9-24SP	G1-1/2"X11	R1-1/2"X11	57.5	62	48
1BT9-24-20SP	G1-1/2"X11	R1-1/4"X11	57.5	61	48
1BT9 24-32SP	G1-1/2"X11	R2"X11	66	75	63
1BT9-32SP	G2"X11	R2"X11	67	75	63
1BT9-32-24SP	G2"X11	R1-1/2"X11	68	72	63

1BH

BSP MALE DOUBLE USE FOR 60° SEAT OR BONDED SEAL/
METRIC MALE L-SERIES ISO 6149-3



Note: Fit for ISO 9974-1 port or ISO 6149-1 port when useless of retaining ring.



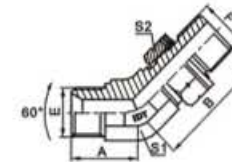
Part No.	THREAD		O-ring	DIMENSIONS			
	E	F	F1	A	B	S1	L
1BH-02-10	G1/8"X28	M10X1	O08.1X1.6	10	8.5	14	25
1BH-02-12	G1/8"X28	M12X1.5	O09.3X2.4	10	11	17	28
1BH-04-12	G1/4"X19	M12X1.5	O09.3X2.4	12	11	19	30
1BH-04-14	G1/4"X19	M14X1.5	O11.3X2.4	12	11	19	31.5
1BH-04-16	G1/4"X19	M16X1.5	O13.3X2.4	12	11.5	22	31.5
1BH-06-14	G3/8"X19	M14X1.5	O11.3X2.4	13.5	11	22	35
1BH-06-16	G3/8"X19	M16X1.5	O13.3X2.4	13.5	11.5	22	33
1BH-06-18	G3/8"X19	M18X1.5	O15.3X2.4	13.5	12.5	24	36.5
1BH-08-18	G1/2"X14	M18X1.5	O15.3X2.4	16	12.5	27	41
1BH-08-22	G1/2"X14	M22X1.5	O19.3X2.4	16	13	27	41.5
1BH-10-22	G5/8"X14	M22X1.5	O19.3X2.4	17.5	13	30	43
1BH-12-16	G3/4"X14	M16X1.5	O13.3X2.4	18.5	11.5	32	43.5
1BH-12-22	G3/4"X14	M22X1.5	O19.3X2.4	18.5	13	32	45
1BH-12-27	G3/4"X14	M27X2	O23.5X3.0	18.5	16	32	45.5
1BH-16-27	G1"X11	M27X2	O23.5X3.0	20.5	16	41	49
1BH-16-33	G1"X11	M33X2	O29.5X3.0	20.5	16	41	49.5
1BH-20-42	G1-1/4"X11	M42X2	O38.5X3.0	20.5	16	50	51.5
1BH-24-48	G1-1/2"X11	M48X2	O44.5X3.0	23	17.5	55	55.5

1BH4-OG

45° ELBOW BSP MALE 60° SEAT /METRIC MALE
L-SERIES ISO 6149-3



Note: Fit for ISO 9974-1 port or ISO 6149-1 port when useless of retaining ring.

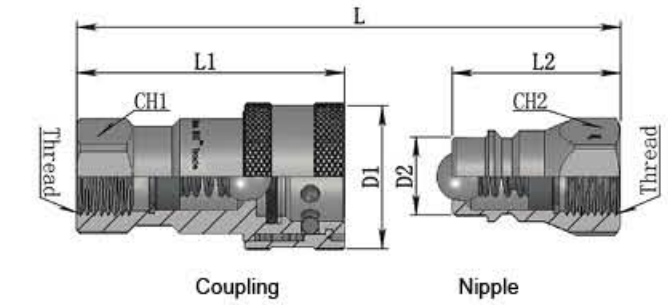
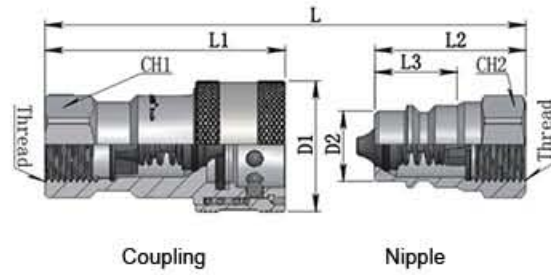


Part No.	THREAD		O-ring	DIMENSIONS			
	E	F	F1	A	B	S1	L
1BH4-02-10OG	G1/8"X28	M10X1	O08.1X1.6	17	23.5	11	14
1BH4-02-12OG	G1/8"X28	M12X1.5	O09.3X2.4	17	27.5	11	17
1BH4-04-12OG	G1/4"X19	M12X1.5	O09.3X2.4	20.3	28.3	14	17
1BH4-04-14OG	G1/4"X19	M14X1.5	O11.3X2.4	20.3	28.3	14	19
1BH4-04-16OG	G1/4"X19	M16X1.5	O13.3X2.4	20.8	29.3	16	22
1BH4-06-14OG	G3/8"X19	M14X1.5	O11.3X2.4	22.3	28.8	16	19
1BH4-06-16OG	G3/8"X19	M16X1.5	O13.3X2.4	22.3	29.3	16	22
1BH4-06-18OG	G3/8"X19	M18X1.5	O15.3X2.4	23	31	19	24
1BH4-08-18OG	G1/2"X14	M18X1.5	O15.3X2.4	27.3	33.3	22	24
1BH4-08-22OG	G1/2"X14	M22X1.5	O19.3X2.4	27.3	33.3	22	27
1BH4-10-22OG	G5/8"X14	M22X1.5	O19.3X2.4	27.8	33.3	22	27
1BH4-12-22OG	G3/4"X14	M22X1.5	O19.3X2.4	31	34.5	27	27
1BH4-12-27OG	G3/4"X14	M27X2	O23.5X3.0	31	39.5	27	32
1BH4-16-27OG	G1"X11	M27X2	O23.5X3.0	34.5	40.5	33	32
1BH4-16-33OG	G1"X11	M33X2	O29.5X3.0	34.5	41	33	41
1BH4-20-42OG	G1-1/4"X11	M42X2	O38.5X3.0	39	45.5	41	50
1BH4-24-48OG	G1-1/2"X11	M48X2	O44.5X3.0	44	49.5	48	55

1N

NPT MALE

Part No.	THREAD		DIMENSIONS			
	E	F	A	B	S1	L
1N-02	Z1/8"X27	Z1/8"X27	10.5	10.5	27	12
1N-02-04	Z1/8"X27	Z1/4"X18	10.5	15	31	17
1N-02-06	Z1/8"X27	Z3/8"X18	10.5	16	32	19
1N-04	Z1/4"X18	Z1/4"X18	15	15	35	17
1N-04-06	Z1/4"X18	Z3/8"X18	15	16	37	19
1N-04-08	Z1/4"X18	Z1/2"X14	15	19.5	41.5	22
1N-06	Z3/8"X18	Z3/8"X18	16	16	38	19
1N-06-08	Z3/8"X18	Z1/2"X14	16	19.5	43.5	22
1N-06-12	Z3/8"X18	Z3/4"X14	16	19.5	45.5	27
1N-08	Z1/2"X14	Z1/2"X14	19.5	19.5	47	22
1N-08-12	Z1/2"X14	Z3/4"X14	19.5	19.5	49	27
1N-08-16	Z1/2"X14	Z1"X11.5	19.5	25.5	56	36
1N-12	Z3/4"X14	Z3/4"X14	19.5	19.5	49	27
1N-12-16	Z3/4"X14	Z1"X11.5	19.5	25.5	55	36
1N-12-20	Z3/4"X14	Z1-1/4"X11.5	19.5	26.5	59	46
1N-16	Z1"X11.5	Z1"X11.5	25.5	25.5	61	36
1N-16-20	Z1"X11.5	Z1-1/4"X11.5	25.5	26.5	64	46
1N-16-24	Z1"X11.5	Z1-1/2"X11.5	25.5	27.5	68	50
1N-20	Z1-1/4"X11.5	Z1-1/4"X11.5	26.5	26.5	65	46
1N-20-24	Z1-1/4"X11.5	Z1-1/2"X11.5	26.5	27.5	69	50
1N-24	Z1-1/2"X11.5	Z1-1/2"X11.5	27.5	27.5	69	50
1N-24-32	Z1-1/2"X11.5	Z2"X11.5	27.5	27.5	72	65
1N-32	Z2"X11.5	Z2"X11.5	27.5	27.5	71	65

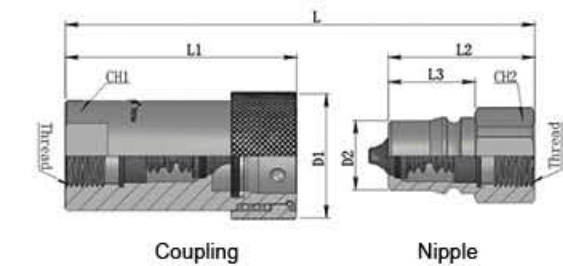
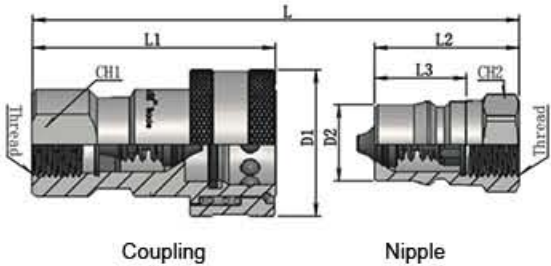


How to order:

IS Steel
IB Brass
SS Stainless steel
Part No.: **K IS-A-G 02 SP**
G=BSPP,N=NPT
SP=Whole,PF=Nipple,SF=Coupling

SPECIFICATIONS									
Body Size(inch)	1/4	3/8	1/2	3/4	1	1-1/4	1-1/2	2	
Rated Pressure(Mpa)	34.5	27.6	27.6	17.3	13.8	7	7	7	
Rated Flow(L/Min)	11	22	45	105	185	295	350	700	
Temperature Range (NBR)	-20°C ~+80°C								

Part No.	ISO	Thread	L	L1	L2	D1	D2	ch1	ch2
KIS-A-G02SP	6.3	G1/4	70	49	35	26	11.8	19	19
KIS-A-G03SP	10	G3/8	85	60.5	42	30	17.3	22	22
KIS-A-G04SP	12.5	G1/2	96	70	48	38	20.5	27	27
KIS-A-G06SP	20	G3/4	114	84.5	56	45	29.1	34	34
KIS-A-G08SP	25	G1	131	99	66	52	34.3	41	41
KIS-A-G10SP	31.5	G1-1/4	150	117	75	70	45	50	50
KIS-A-G12SP	40	G1-1/2	167	133	84	82	55	60	60
KIS-A-G16SP	50	G2	216	169	108	99	65.1	75	75



How to order:

IS Steel
IB Brass
SS Stainless steel
Part No.: **K IS-B-G 02 SP**
G=BSPP,N=NPT
SP=Whole,PF=Nipple,SF=Coupling

SPECIFICATIONS									
Body Size(inch)	1/8	1/4	3/8	1/2	3/4	1	1-1/2	2	
Rated Pressure(Mpa)	34.5	34.5	27.6	27.6	17.3	13.8	7	7	
Rated Flow(L/Min)	3	12	25	45	105	185	378	750	
Temperature Range (NBR)	-20°C ~+80°C								

Part No.	ISO	Thread	L	L1	L2	L3	D1	D2	ch1	ch2
KIS-B-G01SP	5	G1/8	58.5	48	31	20.5	24	10.9	17	17
KIS-B-G02SP	6.3	G1/4	70	57	38	20	28	14.2	19	19
KIS-B-G03SP	10	G3/8	80	60	43	23	35	19.1	24	24
KIS-B-G04SP	12.5	G1/2	95	75	48.5	28.5	45	23.5	30	30
KIS-B-G06SP	20	G3/4	115	93	57	35	55	31.4	36	36
KIS-B-G08SP	25	G1	130	106	65.5	41.5	64	37.8	41	41
KIS-B-G10SP	32.5	G1-1/4	180	114	108	42	76	44.5	60	60
KIS-B-G12SP	40	G1-1/2	200	122	120	42	76	44.5	67	67
KIS-B-G16SP	50	G2	220	140	140	60	100	63.2	95	95

SPECIFICATIONS					
Body Size(inch)	1/4	3/8	1/2	3/4	1
Rated Pressure(Mpa)	34.5	27.6	27.6	17.3	13.8
Rated Flow(L/Min)	11	22	45	105	185
Temperature Range (NBR)	-20°C ~+80°C				

Standard Seal Material is NBR

How to order:

Part No.: OP Poppet Valve
K IS-O-G 02 SP
G=BSPP,N=NPT
SP=Whole,PF=Nipple,SF=Coupling

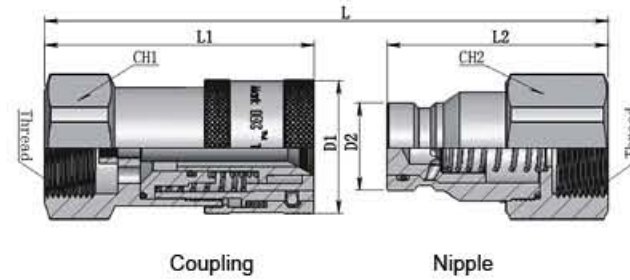
Part no.	ISO	Thread	L	L1	L2	D1	D2	Ch1	Ch2
KIS-O-G02SP	6.3	G1/4	76	55.5	38	27	14.2	19	19
KIS-O-G03SP	10	G3/8	85	63	42	34	19	24	24
KIS-O-G04SP	12.5	G1/2	96	70	48	38	20.5	27	27
KIS-O-G06SP	20	G3/4	114	86	57	47	26.8	34	34
KIS-O-G08SP	25	G1	132	99	65	52	31.3	41	41

SPECIFICATIONS					
Body Size(inch)	1/4	3/8	1/2	3/4	1
Rated Pressure(Mpa)	20.6	20.6	20.6	20.6	20.6
Rated Flow(L/Min)	10	20	40	100	175
Temperature Range (NBR)	-20°C ~+80°C				

How to order:

Part No.: Type
HSP -R 02 SP
SP=Whole,PF=Nipple,SF=Coupling

Part No.	ISO	Thread	L	L1	L2	L3	D1	D2	Ch1	Ch2
HSP-R02SP	6.3	Rc1/4	63.5	49	32	17.5	27.5	14.25	19	19
HSP-R03SP	10	Rc3/8	75.5	60	38	22.5	33	18.25	23	23
HSP-R04SP	12.5	Rc1/2	88.5	72	44	27.5	43	24.25	35	29
HSP-R06SP	12.5	Rc3/4	94.5	72	50	27.5	43	24.25	35	32
HSP-R66SP	20	Rc3/4	101.5	78.5	51	28	47	28.25	35	35
HSP-R08SP	25	Rc1	118	93	61	36	58	36.25	46	41



How to order:

Part No.: SS Stainless steel

K IS-PT-G 02 SP

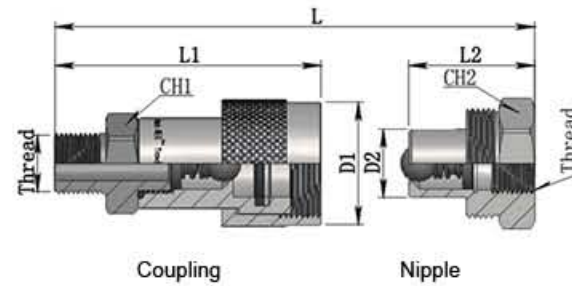
G=BSPP,N=NPT

SP=Whole,PF=Nipple,SF=Coupling

SPECIFICATIONS						
Body Size(inch)	6.3	10	12.5	16	19	25
Rated Pressure(Mpa)	31.5	25	25	25	25	20
Rated Flow(L/Min)	11	22	45	75	100	185
Temperature Range (NBR)	-20°C ~+80°C					

Standard Seal Material is NBR

Part No.	ISO	Thread	L	L1	L2	D1	D2	Ch1	Ch2
KIS-PT-G02SP	6.3	G1/4	90	53	48	29.5	16.2	22	22
KIS-PT-G03SP	10	G3/8	109	65	60	33.5	19.7	27	24
KIS-PT-G034SP	10	G1/2	116	70	62.5	33.5	19.7	27	27
KIS-PT-G04SP	12.5	G1/2	128	77	68	39.5	24.5	32	32
KIS-PT-G046SP	12.5	G3/4	134	81	70	39.5	24.5	36	36
KIS-PT-G056SP	16	G3/4	140	84	73	43.5	27	36	36
KIS-PT-G068SP	19	G1	160	99	84	49.5	30	45	45
KIS-PT-G081SP	25	G1-1/4	173	106	90	56.5	36	55	55



How to order:

Part No.: TP Poppet Valve

K IS-T-R 02 SP

SP=Whole,PF=Nipple,SF=Coupling

SPECIFICATIONS				
Body Size(inch)	1/4	3/8		
Rated Pressure(Mpa)	70	70		
Rated Flow(L/Min)	15	20		
Temperature Range (NBR)	-20°C ~+80°C			

Part No.	Thread	L	L1	L2	D1	D2	Ch1	Ch2	Ball	Poppet
KIS-T-R02SP	R1/4	80	60.5	32	29	15.8	22	19	√	
KIS-T-R02SP	R1/4	80	60.5	32	29	15.8	22	19		√
KIS-T-R03SP	R3/8	85	72	38	35	19	24	32	√	
KIS-T-R03SP	R3/8	85	72	38	35	19	24	32		√



How to order:

Part No.: Series TD, TDB, TM

K IS-3 TF-G 03 SP

Body 3,4,8 O.D or Thread

SP=Whole,PF=Nipple,SF=Coupling

SPECIFICATIONS			
Body Size(inch)	3	4	6
Rated Pressure(Mpa)	40	40	40
Rated Flow(L/Min)	25	45	105
Temperature Range (NBR)	-20°C ~+80°C		

PART NO	Thread	L	L1	L2	D1	D2	Ch1	Ch2	Ch3
KIS-3TF-G03SP	G3/8	98	64	61	M27×2	34	22	22	30
KIS-4TF-G04SP	G1/2	103	67	64	M36×2	42	30	30	36
KIS-6TF-G06SP	G3/4	152	100	87	M48×3	55	41	41	50
KIS-6TF-G08SP	G1	152	100	87	M48×3	55	41	41	50



How to order:

Part No.: Series PD, PDB, PM

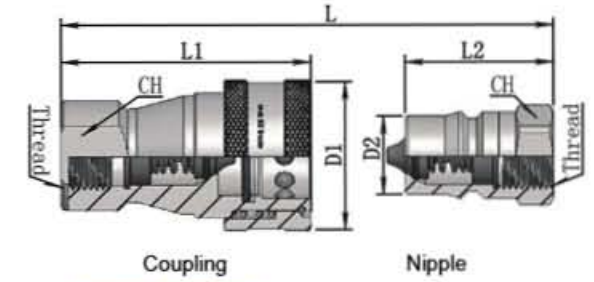
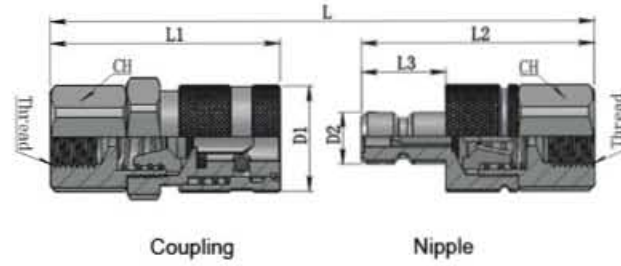
K IS-2 PP-G 02 SP

Body 2,3,4,8,8 O.D or Thread

SP=Whole,PF=Nipple,SF=Coupling

SPECIFICATIONS					
Body Size(inch)	2	3	4	6	8
Rated Pressure(Mpa)	34.5	27.6	27.6	17.3	13.8
Rated Flow(L/Min)	11	22	45	105	185
Temperature Range (NBR)	-20°C ~+80°C				

PART NO	ISO	Thread	L	L1	L2	L3	D1	D2	Ch1	Ch2
KIS-2PP-G02SP	6.3	G1/4	89.5	64	44	18.5	26	12	19	19
KIS-3PP-G03SP	10	G3/8	95	67	51	22.8	32	17.3	22	22
KIS-4PP-G04SP	12.5	G1/2	99.3	71	61	32.7	38	20.5	27	27
KIS-6PP-G06SP	20	G3/4	126.5	92	65	30.5	46	29	36	36
KIS-8 PP-G08SP	25	G1	139	104	72	37	50	34.3	41	41



How to order:

Part No.: Series LD,LDB,LM

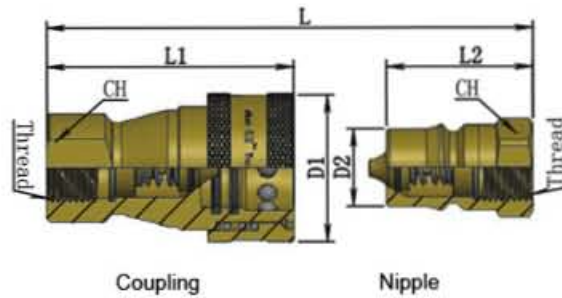
K IS-6 LP-G 02 SP

Body 6,7,12,19 O.D or Thread

SP=Whole,PF=Nipple,SF=Coupling

SPECIFICATIONS				
Body Size(inch)	6	7	12	19
Rated Pressure(Mpa)	150	150	150	150
Rated Flow(L/Min)	15	25	50	120
Temperature Range (NBR)	-20°C ~+80°C			

PART NO	DN	Thread	D1	CH	L1	D2	CH	L2	L3
KIS-6LP-G02SP	6	G1/4	25	19	58	10.9	19	55	20
KIS-7LP-G03SP	7	G3/8	30	24	68	13.9	24	65	23.3
KIS-12LP-G04SP	12	G1/2	40	32	82	20.9	32	80	29.5
KIS-19LP-G06SP	19	G3/4	54	46	100	30.9	46	96	32.5



How to order:

Part No.:

KZD -R 02 SP

SP=Whole,PF=Nipple,SF=Coupling

SPECIFICATIONS									
Body Size(inch)	1/8	1/4	3/8	1/2	3/4	1	1-1/4	1-1/2	2
Rated Pressure(Mpa)	7	7	7	7	7	7	5.5	5.5	5.5
Rated Flow(L/Min)	3	12	25	45	105	185	295	378	750
Temperature Range (NBR)	-20°C ~+80°C								

Standard Seal Material is NBR

PART NO	ISO	Thread	L	L1	L2	D1	D2	Ch1	Ch2
KZD-R01SP	5	Rc1/8	58	48	29	24	10.9	14	14
KZD-R02SP	6.3	Rc1/4	72	58	36	28	14.2	19	17
KZD-R03SP	10	Rc3/8	80	65	40	35	19.1	21	21
KZD-R04SP	12.5	Rc1/2	88	72	44	45	23.5	29	29
KZD-R06SP	20	Rc3/4	104	88	52	55	31.4	35	35
KZD-R08SP	25	Rc1	127	105	62	65	37.8	41	41
KZD-R10SP	32.5	Rc1-1/4	140	115	70	77	-	54	54
KZD-R12SP	40	Rc1-1/2	150	124	75	88	-	63	63
KZD-R16SP	50	Rc2	160	132	80	108	-	77	77



How to order:

Part No.:

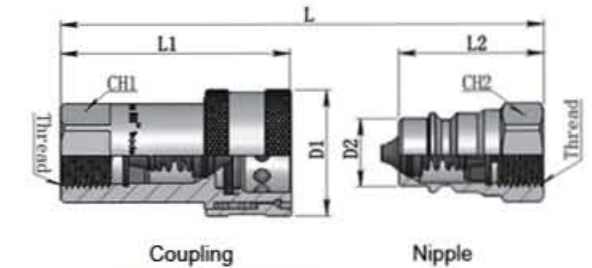
KZF -R 02 SP

SP=Whole,PF=Nipple,SF=Coupling

SPECIFICATIONS									
Body Size(inch)	1/8	1/4	3/8	1/2	3/4	1	1-1/4	1-1/2	2
Rated Pressure(Mpa)	14	14	14	10.5	10.5	7	7	7	7
Rated Flow(L/Min)	3	12	25	45	105	185	295	378	750
Temperature Range (NBR)	-20°C ~+80°C								

Standard Seal Material is NBR

PART NO	ISO	Thread	L	L1	L2	D1	D2	Ch1	Ch2
KZF-R01SP	5	Rc1/8	58	48	29	24	10.9	14	14
KZF-R02SP	6.3	Rc1/4	72	58	36	28	14.2	19	17
KZF-R03SP	10	Rc3/8	80	65	40	35	19.1	21	21
KZF-R04SP	12.5	Rc1/2	88	72	44	45	23.5	29	29
KZF-R06SP	20	Rc3/4	104	88	52	55	31.4	35	35
KZF-R08SP	25	Rc1	127	105	62	65	37.8	41	41
KZF-R10SP	32.5	Rc1-1/4	140	115	70	77	-	54	54
KZF-R12SP	40	Rc1-1/2	150	124	75	88	-	63	63
KZF-R16SP	50	Rc2	160	132	80	108	-	77	77



How to order:

Part No.:

Type

KZE -G 02 SP

SP=Whole,PF=Nipple,SF=Coupling

SPECIFICATIONS								
Body Size(inch)	6	8	10	15	20	25	32	40
Rated Pressure(Mpa)	34.5	27.6	27.6	17.3	13.8	7	7	7
Rated Flow(L/Min)	11	22	45	105	185	295	350	700
Temperature Range (NBR)	-20°C ~+80°C							

Standard Seal Material is NBR

PART NO	DN	Thread	L	L1	L2	D1	D2	Ch1	Ch2
KZE-G02SP	6	G1/4	71.5	58	36	28	14.2	19	17
KZE-G03SP	8	G3/8	80	65	40	35	19	21	22
KZE-G04SP	10	G1/2	83	66	46	40	21.6	27	27
KZE-G06SP	15	G3/4	95	79	55	49	30	36	36
KZE-G08SP	20	G1	111	95	59	58	30	41	41
KZE-G10SP	25	G1-1/4	140	115	70	70	44.8	54	52
KZE-G12SP	32	G1-1/2	150	124	75	79	50.1	60	60
KZE-G16SP	40	G2	160	132	80	102	65	77	77
KZE-M14SP	6	M14×1.5	71.5	58	36	28	14.2	19	17
KZE-M16SP	6	M16×1.5	71.5	58	36	28	14.2	19	17
KZE-M18SP	8	M18×1.5	80	65	40	35	19	21	22
KZE-M20SP	10	M20×1.5	83	66	46	40	21.6	27	27
KZE-M22SP	10	M22×1.5	83	66	46	40	21.6	27	27
KZE-M27SP	15	M27×2	95	79	55	49	30	36	36
KZE-M33SP	20	M33×2	111	95	59	58	30	41	41
KZE-M39SP	25	M39×2	140	115	70	70	44.8	54	52
KZE-M45SP	32	M45×2	140	115	70	70	44.8	54	52
KZE-M64SP	40	M64×2	160	132	80	102	65	77	77



Model	Capacity	Min Height (mm)	Max Height (mm)	Product Size (mm)	N.W./G.W. (kg)	Package Size (mm)	QTY/20°CY (PCS)
T82256	2.25 Ton	135 (5.31")	440 (17.32)	580x320x167	24.5 /26	620x350x190	680
T82252	2.25 Ton	135 (5.31")	480 (18.9)	642x334x175	28.5 /30.5	675x375x190	550
T82251	2.25 Ton	130 (5.12")	490 (19.29)	705x344x180	33.5 /35	760x380x210	480
T82257	2.25 Ton	145 (5.71")	520 (20.47)	700x344x180	36/38	760x380x210	480
T82501	2.5 Ton	130 (5.12")	490 (19.29)	700x344x180	35/37	760x380x210	480
T82751	2.75 Ton	145 (5.71")	520 (20.47)	700x344x180	37/39	760x380x210	480

THIS PAGE'S PRODUCTS ARE ALL PATENTED DESIGN. PATENT NO.ZL94309226.4

FEATURES:

- Steel hydraulic block assembly includes dust seals to prevent oil contamination.
- Removable two piece handle with rubber hand grip provides ease of pumping.



T82751



T830018

PATENTED DESIGN. PATENT NO.ZL94309226.4, ZL200730028244.1

T83000E

TR83002X

T830018D

PATENTED DESIGN. PATENT NO.ZL94309226.4, ZL200720035441.0

T83002

Model	Capacity	Min Height (mm)	Max Height (mm)	Product Size (mm)	N.W./G.W. (kg)	Package Size (mm)	QTY/20°CY (PCS)
TR83002X	3Ton	135 (5.31")	500 (19.69")	645x345x190	30/32.5	690x385x200	500
T830018	2.5/3Ton	85 (3.35")	455 (17.91")	640x342x174	34.8/36.6	695x385x220	480
T830018D	3Ton	86 (3.39")	455 (17.91")	640x342x174	35/37	695x385x220	448
T83000E	3Ton	150 (5.91")	490 (19.29")	630x344x180	37.4/39	675x380x205	480
T83002	3Ton	130 (5.12")	495 (19.49")	668x337x176	35.2/36.8	715x380x210	480
T83001	3Ton	145 (5.71")	520 (20.47")	700x346x180	37.4/39.1	760x380x200	480



T83001



T83508

T83505

T83001Q

T83000ET

Model	Capacity	Min Height (mm)	Max Height (mm)	Product Size (mm)	N.W./G.W. (kg)	Package Size (mm)	QTY/20°CY (PCS)
T83000ET	3Ton	150	490	630x344x180	38/39.5	675x380x205	480
T83001Q	3Ton	145	520	735x346x170	39.5/41.1	800x380x200	410
T83508	3/3.25Ton	98	535	780x345x170	44.5/47	840x390x200	360
T83505	3/3.5 Ton	95	560	780x366x160	46/48	840x410x205	380



T83502



T84004B



Dual pump design

Model	T83502
Capacity	3/3.5 Ton
Min height	145 mm
Max height	500 mm
Product size	685x346x180 mm
N.W./G.W	37.2 kgs/39 kgs
Package size	740x380x205 mm
QTY/20°CY	480 PCS

Model	T84004B
Capacity	4Ton
Min height	100 mm
Max height	508 mm
Product size	745x349x180mm
N.W./G.W	46.5kgs/48.5kgs
Package size	800x440x215mm
QTY/20°CY	343PCS

Model	TR15006
Capacity	1.5Ton
Min Height	130mm
Max Height	535mm
N.W/G.W	32 kgs/35.5kgs
Package Size	730x480x200 mm
QTY/20°CY	308PCS

Model	TR20006
Capacity	2Ton
Min Height	130mm
Max Height	535mm
N.W/G.W	33.5kgs/37kgs
Package Size	760x480x200mm
QTY/20°CY	308PCS

Model	TR15005
Capacity	1.5Ton
Min Height	135mm
Max Height	855mm
N.W/G.W	50kgs/54kgs
Package Size	1120x480x200mm
QTY/20°CY	240PCS



TR15006



TR20006



TR15005

PROFESSIONAL GARAGE JACK
 PATENTED DESIGN
 PATENT NO.:
 ZL200830020927.7
 ZL200920283713.8
 ZL200920036493.9



Model	T820031
Capacity	2Ton
Min Height	70mm
Max Height	500mm
N.W/G.W	40kgs/44kgs
Package Size	900x450x170mm
QTY/20°CY	350PCS

Model	T820028
Capacity	2Ton
Min Height	76mm
Max Height	510mm
Product size	1006x365x136mm
N.W/G.W	42kgs/45kgs
Package Size	1050x440x195mm
QTY/20°CY	286PCS

Model	T830028
Capacity	3Ton
Min Height	140mm
Max Height	525mm
Product size	1150x350x190mm
N.W/G.W	50kgs/55kgs
Package Size	1280x410x240mm
QTY/20°CY	160PCS
Pallet QTY/20°	16Pallets
Master ctn/layers	2-5 ctn/layer



Model	T815012L
Capacity	1.25/1.5Ton
Min Height(mm)	85mm
Max Height(mm)	375mm
Product Size(mm)	555x250x150
Package Size(mm)	590x290x175
N.W/G.W.(kg)	12.5/14
QTY/20°CY	950 PCS

PATENTED DESIGN.
 PATENT NO.:ZL03367706.9



Model	T815005L
Capacity	1.5Ton
Min Height(mm)	85mm
Max Height(mm)	445mm
Product Size(mm)	660x294x170
Package Size(mm)	740x340x220
N.W/G.W.(kg)	18/20
QTY/20°CY	500 PCS



Model	T815009L
Capacity	1.5Ton
Min Height(mm)	85 mm
Max Height(mm)	445 mm
Product Size(mm)	660x294x170
Package Size(mm)	740x340x220
N.W/G.W.(kg)	19.5/20.5
QTY/20°CY	500 PCS

PATENTED DESIGN.
 PATENT NO.:ZL03367706.9

Model	T43004L
Capacity	3Ton
Min Height(mm)	272mm
Max Height(mm)	397mm
Product Size(mm)	190x173x272
Package Size(mm)	250x250x85
N.W/G.W.(kg)	4.5/5.5(pair)
QTY/20°CY	3534PCS



T43004L



T820010L
 Lower profile
 90mm min.height

Model	T820010L
Capacity	2 Ton
Min Height(mm)	90 mm
Max Height(mm)	445 mm
Product Size(mm)	670x310x163
Package Size(mm)	750x360x185
N.W/G.W.(kg)	22kgs/23kgs
QTY/20°CY	570 PCS



T820009L

Model	T820009L
Capacity	2 Ton
Min Height(mm)	92 mm
Max Height(mm)	440 mm
Product Size(mm)	660x294x180 mm
Package Size(mm)	740x340x220 mm
N.W/G.W.(kg)	19kgs/21kgs
QTY/20°CY	500 PCS



T801002L

Model	T801002L
Capacity	90 kgs
Min Height(mm)	38 mm
Max Height(mm)	146 mm
Package Size(mm)	780x274x211 mm
N.W/G.W.(kg)	0.74kgs/0.86kg
QTY/20°CY	7200 PCS

Model	T815011L
Capacity	1.5 Ton
Min Height(mm)	125 mm
Max Height(mm)	340 mm
Package Size(mm)	540x280x160 mm
N.W/G.W.(kg)	9.2kgs/10.4kgs
QTY/20°CY	1150PCS



T8015011L

Aluminum trolley jack
 A light weight jack of aircraft grade, heat treated aluminum, hydraulic block and aluminum chassis for easy handling and position under a vehicle.
 ·Jack has a built-in safety overload system that prevents use beyond its rated capacity.
 ·With rear swivel casters, maneuvering and positioning this jack is an easy task.
 ·Rubber padded saddle protects vehicle frame.
 PATENT NO.:
 ZL200430018866.2



T830002L
 Heavy duty design

Model	T830002L
Capacity	3Ton
Min Height(mm)	100
Max Height(mm)	465mm
Package Size(mm)	770x450x180
N.W/G.W.(kg)	33/35
QTY/20°CY	450 PCS

PATENTED DESIGN.
 PATENT NO.:ZL200430070473.6



T815015L

Model	T815015L
Capacity	1.5Ton
Min Height(mm)	85mm
Max Height(mm)	375mm
Product Size(mm)	584x250x152
Package Size(mm)	620x290x175
N.W/G.W.(kg)	17.2/18.5
QTY/20°CY	850 PCS



T825011L

Model	T825011L
Capacity	2.5 Ton
Min Height(mm)	100 mm
Max Height(mm)	460 mm
Product Size(mm)	650x292x170
Package Size(mm)	730x355x185
N.W/G.W.(kg)	26.4/28.2
QTY/20°CY	596PCS

Model	T430010L
Capacity	3Ton
Min Height(mm)	268mm
Max Height(mm)	393 mm
Product Size(mm)	190x173x272
Package Size(mm)	650x370x190
N.W/G.W.(kg)	4.2/4.6
QTY/CTN	6pairs
QTY/20°CY	3168pairs



T430010L



Model	Capacity	Min Height(mm)	Max Height(mm)	Product Size(mm)	N.W/G.W.(kg)	Package Size(mm)	QTY/20"CY
TR20003(QK2)	2Ton	140mm	800mm	1220×430×200	58/65	1250×430×210	220
TR30001(QK3)	3Ton	130mm	600mm	1400×320×200	70/75	1450×380×210	160
TR30002(QK3)	3Ton	140mm	670mm	1150×450×110	56/59	1180×470×210	230
TR50001(QK5)	5Ton	150mm	560mm	1510×380×210	87/101	1570×420×290	128
TR100001(QK10)	10Ton	160mm	560mm	1640×480×260	146/160	1670×520×330	98
TR150001(TR8154)	15Ton	180mm	720mm	2370×550×235	260/275	2400×560×260	60
TR200001(TR8204)	20Ton	220mm	680mm	1420×550×270	215/230	1430×560×280	75



Model	Capacity	Min Height(mm)	Max Height(mm)	Product Size(mm)	N.W/G.W.(kg)	Package Size(mm)	QTY/20"CY
TR8056AQ	5Ton	150mm	560mm	1510×380×210	92/106	1570×420×290	128
TR8106AQ	10Ton	160mm	560mm	1640×480×260	131/147	1670×520×330	98

Model	TQ22001	Model	TQ35001
Capacity	22Ton	Capacity	35Ton
Min Height(mm)	230mm	Min Height(mm)	260mm
Max Height(mm)	430mm	Max Height(mm)	510mm
Ram Lift	105mm	Ram Lift	115mm
Screw Extend	105mm	Screw Extend	123mm
N.W/G.W.(kg)	45kgs/47kgs	N.W/G.W.(kg)	46kgs/48kgs
Package Size(mm)	660×380×240mm	Package Size(mm)	660×360×280mm
QTY/20"CY	340 PCS	QTY/20"CY	340 PCS



Model	T710015
Capacity	10Ton
N.W/G.W.(kg)	36.13/41.1kgs
Package Size(mm)	740×470×245mm
QTY/20"CY	297 PCS

Model	TRA0204
Capacity	20Ton
Lifting Height(Mm)	145mm
Min RAM Height(mm)	385mm
Package Size(mm)	760×320×260mm
N.W/G.W.(kg)	42kgs/43kgs
QTY/20"CY	400 PCS



Model	T42002	T43002	T43006	T46002	T412002
Capacity	2Ton	3Ton	3Ton	6Ton	12Ton
Min Height(mm)	275(10-13/16")	285(11-1/4")	355(14")	390(15-3/8")	465(18-5/16")
Max Height(mm)	420(16-9/16")	425(16-3/4")	520(20-1/2")	605(23-13/16")	715(28-1/18")
N.W.(kg)	4.9/Pair	6.4/Pair	9/Pair	12.8/Pair	27.3/Pair
G.W.(kg)	5.5/Pair	6.9/Pair	9.8/Pair	13.6/Pair	28.5/Pair
Package Size(mm)	195×180×350mm	210×190×360mm	235×195×440mm	290×260×460mm	335×300×580mm
QTY/20"CY	2088 Pairs	1900 Pairs	1300 Pairs	860 Pairs	440 Pairs

Model	Capacity	Min Height(mm)	Max Height(mm)	N.W./G.W.(kg)	Package Size(mm)	QTY/20"CY
T42002CM	2Ton	275(10-13/16")	420(16-9/16")	4.9/5.5	195×180×350mm	2088 Pair
T43002CM	3Ton	285(11-1/4")	425(16-3/4")	6.4/6.9	210×190×360mm	1900 Pair
T46002CM	6Ton	390(15-3/8")	605(23-13/16")	12.8/13.6	290×260×460mm	860 Pair
T42001C	2Ton	278(10-15/16")	420(16-9/16")	5.5/6.2	210×195×355mm	1900 Pair
T43001C	3Ton	288(11-5/16")	425(16-3/4")	7/7.8	225×205×360mm	1750 Pair
T46001C	6Ton	395(15-9/16")	605(23-13/16")	13.2/14.2	310×265×460mm	700 Pair
T42001	2Ton	278(10-15/16")	420(16-9/16")	5.5/6.2	210×195×355mm	1900 Pair
T43001	3Ton	288(11-5/16")	425(16-3/4")	7/7.8	225×205×360mm	1750 Pair
T46001	6Ton	395(15-9/16")	605(23-13/16")	13.2/14.2	310×265×460mm	700 Pair

- Ratchet type for fine adjustable with double locking protection
- Solid steel handle ,Self-Locking ratchet
- Large Saddle ,Unitized frame construction
- Ductile iron rack





T31001



T30752



T31002



T30502



T32002E

Model	T31001
Capacity	1 Ton
Lifting range	55~2270 mm (2-3/16"~89-3/8")
Length	1560mm (61-7/16")
Width	935mm (36-13/16")
Height	1530mm (60-1/4")
Package Size	1560x420x160mm
N.W.	68.9 kgs
G.W.	71.5 kgs
QTY/20"CY	205 PCS

Model	T30752
Capacity	0.75 Ton
Lifting range	0~2355 mm (0~92-3/4")
Length	1805 mm (71")
Width	840mm (33")
Height	1505mm (59-1/4")
Package Size	1#1640x340x140 mm 2# 950x320x175mm
N.W.(KG)	1# 54kgs 2# 35kgs
G.W.(KG)	1# 54kgs 2# 38kgs
QTY/20"CY	188 PCS

Model	T31002
Capacity	1 Ton
Lifting range	25~2000mm (1~78-3/4")
Length	1520mm (59-13/16")
Width	1100 mm (43-5/16")
Height	1500mm (59-1/16")
Package Size	1637x385x200 mm
N.W.	71 kgs
G.W.	75 kgs
QTY/20"CY	226 PCS
Pallet QTY/20" (Ctn-Layer)	14
Master Ctn/ Layers(Pallet)	2-4

Model	T30502
Capacity	0.5 TON
Lifting Range	30-2000 mm
Product Size(mm)	1690x870x1285
Package Size(mm)	1550x660x165
N.W./G.W.(kg)	71 kgs/75 kgs
QTY/20"CY	143 PCS

PATENTED DESIGN.
PATENT NO.: ZL201020254414.4

Model	T32002E
Capacity	2 TON
Lifting range	25~2000 mm
Length	1750mm
Width	1060mm
Height	1460mm
Package Size	1#1145x480x180 mm 2#880x550x90mm
N.W./G.W	1# 84.3 kgs / 87kgs 2# 30.6kgs /32.8 kgs
QTY/20"CY	142 PCS

PATENTED DESIGN.
PATENT NO.:ZL97236152.9 , ZL02220487.3, ZL99229389.8



T31001



T32002X



T32002

Model	T32001
Capacity	2 Ton
Lifting range	380-2400 mm
Length	2310mm
Width	1300mm
Height	1575mm
Package Size	1#1440x330x160 mm 2#1360x295x180 mm
N.W./G.W	1# 72.4 kgs /41 kgs 2# 75.6 kgs /44.5 kgs
QTY/20"CY	137 PCS

Model	T32002X
Capacity	2 TON
Lifting range	25~2000 mm
Length	1750mm
Width	1040mm
Height	1486 mm
Package Size	1#780x550x10 mm 2#1480x330x180mm
N.W./G.W	1# 20.5 kgs / 21.9 kgs 2# 59.7 kgs /61.8 kgs
QTY/20"CY	180 PCS

PATENTED DESIGN.
PATENT NO.:ZL99229389.8

Model	T32002
Capacity	2 Ton
Lifting range	25~2300mm
Length	1800mm
Width	1040 mm
Height	1568mm
Package Size	1# 880x610x90mm 2#1540x320x170 mm
N.W./G.W.	1# 29.7 kgs / 33.3 kgs 2# 74.4 kgs /78.2 kgs
QTY/20"CY	140 PCS

PATENTED DESIGN.
PATENT NO.:ZL99229389.8



TRF20501



TRF22001



TRF2750

Model	TRF20501	TRF2750	TRF2750A	TRF22001
Capacity	500 kgs	680 kgs	680 kgs	2000 kgs
N.W./G.W.	4.5 kgs/4.8 kgs	5.5 kgs/6 kgs	6 kgs/6.5 kgs	5.4 kgs/6 kgs
Package Size	680x240x80 mm	465x230x230 mm	465x230x230 mm	620x250x60 mm
QTY/20"CY	1950 PCS	2750 PCS	2750 PCS	2680 PCS



TRF2750A

Item No	Picture	Description	PACKING
LML-0550		<ul style="list-style-type: none"> LED Power: 50W Operating Voltage: 10-30V DC Waterproof rate: IP 67 5pcs*10w high intensity CREE LEDs Optional Color: Black,White Color Temperature:6000K Material:Diecast aluminum housing Lens material:PMMA Mounting Bracket: Stainless Steel Opitonal Beam: 120 degree 30000 hours above life time Size: 144.5mm*97mm*78.5mm 	<ul style="list-style-type: none"> QTY: 12 pcs/ctn N.W: 1.5 kg/pcs CTN Size: 390*380*350mm Gross weight: 18.8 KG
LML-1442		<ul style="list-style-type: none"> LED Power: 42W Operating Voltage: 10-30V DC Waterproof rate: IP 67 14pcs*3w high intensity Epsitar LEDs Optional Color: Black,White Color Temperature:6000K Material:Diecast aluminum housing Lens material:PMMA Mounting Bracket: Stainless Steel Opitonal Beam: 60 / 30 degree 30000 hours above life time Size: 116mm*116mm*76mm 	<ul style="list-style-type: none"> QTY: 20 pcs/ctn N.W: 1.1 kg/pcs CTN Size: 500*360*320mm Gross weight: 21.7 KG
LML-1648		<ul style="list-style-type: none"> LED Power: 48W Operating Voltage: 10-30V DC Waterproof rate: IP 67 16pcs*3w high intensity Epsitar LEDs Optional Color: Black,White Color Temperature:6000K Material:Diecast aluminum housing Lens material:PMMA Mounting Bracket: Stainless Steel Opitonal Beam: 60 / 30 degree 30000 hours above life time Size: 110mm*110mm*72mm 	<ul style="list-style-type: none"> QTY: 20pcs/ctn N.W: 1.8kg/pcs CTN Size: 480*340*300mm Gross weight: 36KG
LML-0440		<ul style="list-style-type: none"> LED Power: 40W Operating Voltage: 10-30V DC Waterproof rate: IP 67 4pcs*10w high intensity CREE LEDs Optional Color: Black,White Color Temperature: 6000K Material:Diecast aluminum housing Lens material:PMMA Mounting Bracket: Stainless Steel Opitonal Beam: 25 / 45 degree 30000 hours above life time Size: 110mm*110mm*72mm 	<ul style="list-style-type: none"> QTY: 20pcs/ctn N.W: 1.8kg/pcs CTN Size: 480*340*300mm Gross weight: 36KG
LML-0220		<ul style="list-style-type: none"> LED Power: 20W Operating Voltage: 10-30V DC Waterproof rate: IP 67 2pcs*10w high intensity CREE LEDs Optional Color: Black,White Color Temperature: 6000K Material:Diecast aluminum housing Lens material:PMMA Mounting Bracket: Stainless Steel Opitonal Beam: 90 degree 30000 hours above life time Size: 110mm*60mm*56mm 	<ul style="list-style-type: none"> QTY: 20pcs/ctn N.W: 0.7kg/pcs CTN Size: 273*230*295mm Gross weight: 14KG

Item No	Picture	Description	PACKING
LML-0618R		<ul style="list-style-type: none"> LED Power: 18W Operating Voltage: 10-30V DC Waterproof rate: IP 67 6pcs*3w high intensity Epsitar LEDs Optional Color: Black,White Color Temperature: 6000K Material:Diecast aluminum housing Lens material:PMMA Mounting Bracket: Stainless Steel Opitonal Beam: 60 / 30 degree 30000 hours above life time Size: 110mm*60mm*56mm 	<ul style="list-style-type: none"> QTY: 20pcs/ctn N.W: 0.85kg/pcs CTN Size: 273*230*295mm Gross weight: 17KG
LML-0310		<ul style="list-style-type: none"> LED Power: 10W Operating Voltage: 10-30V DC Waterproof rate: IP 67 4pcs*3w high intensity Epsitar LEDs Optional Color: Black,White Color Temperature: 6000K Material:Diecast aluminum housing Lens material:Toughed glass Mounting Bracket: Stainless Steel Opitonal Beam: 60 / 30 degree 30000 hours above life time Size: 66mm*66mm*65mm 	<ul style="list-style-type: none"> QTY: 32pcs/ctn N.W: 0.6kg/pcs CTN Size: 445*253*188mm Gross weight: 20KG
LML-0210		<ul style="list-style-type: none"> LED Power: 10W Operating Voltage: 10-30V DC Waterproof rate: IP 67 1pcs*10w high intensity CREE LED Color Temperature: 6000K Material:Diecast aluminum housing Lens material:Toughed glass Mounting Bracket: Stainless Steel Opitonal Beam: 40 / 8 degree 30000 hours above life time. Size: 66mm*66mm*65mm 	<ul style="list-style-type: none"> QTY: 32pcs/ctn N.W: 0.75kg/pcs CTN Size: 445*253*188mm Gross weight: 25KG
LML-0110		<ul style="list-style-type: none"> LED Power: 10W Operating Voltage: 10-30V DC Waterproof rate: IP 67 1pcs*10w high intensity CREE LEDs Optional Color: Black,White Color Temperature: 6000K Material:Diecast aluminum housing Lens material:PMMA Mounting Bracket: Stainless Steel Opitonal Beam: 40 / 8 degree 30000 hours above life time Size: 50mm*50mm*70mm 	<ul style="list-style-type: none"> QTY: 40pcs/ctn N.W: 0.6kg/pcs CTN Size: 440*320*320mm Gross weight: 25KG
LML-0309		<ul style="list-style-type: none"> LED Power: 9W Operating Voltage: 10-30VDC Waterproof rate: IP 67 3pcs*3w high intensity Epsitar LEDs Optional Color: Black,White Color Temperature: 6000K Material:Diecast aluminum housing Lens material:PMMA Mounting Bracket: Stainless Steel Opitonal Beam: 90 degree 30000 hours above life time Size: 110mm*60mm*56mm 	<ul style="list-style-type: none"> QTY: 20pcs/ctn N.W: 0.7kg/pcs CTN Size: 273*230*295mm Gross weight: 14KG

Item No	Picture	Description	PACKING
LML-0412		<ul style="list-style-type: none"> LED Power: 12W Operating Voltage: 10-30V DC Waterproof rate: IP 67 4pcs*3w high intensity Epsitar LEDs Optional Color: Black,White Color Temperature: 6500K Material:Diecast aluminum housing Lens material:PMMA Mounting Bracket: Stainless Steel Opitonal Beam: 60 degree 30000 hours above life time Size: 82mm*76mm*112mm 	<ul style="list-style-type: none"> QTY: 20pcs/ctn N.W: 0.5kg/pcs CTN Size: 480*280*220mm Gross weight: 10KG
LML-0515B		<ul style="list-style-type: none"> LED Power: 15W Operating Voltage: 10-30V DC Waterproof rate: IP 67 5pcs*3w high intensity Epsitar LEDs Optional Color: Black,White Color Temperature: 6500K Material:Diecast aluminum housing Lens material:PMMA Mounting Bracket: Stainless Steel Opitonal Beam: 60 / 30 degree 30000 hours above life time Size: 145mm*48mm*78mm 	<ul style="list-style-type: none"> QTY: 20pcs/ctn N.W: 0.5kg/pcs CTN Size: 400*200*220mm Gross weight: 10KG
LML-0130		<ul style="list-style-type: none"> LED Power: 30W Operating Voltage: 10-30V DC Waterproof rate: IP 68 30pcs*1w high intensity LEDs Optional Color: Black,White Color Temperature: 6000K Material:Diecast aluminum housing Lens material:PMMA Mounting Bracket: Stainless Steel Opitonal Beam: 160 degree 30000 hours above life time Size: 126mm*126mm*85mm 	<ul style="list-style-type: none"> QTY: 12pcs/ctn N.W: 2kg/pcs CTN Size: 440*370*350mm Gross weight: 22.5KG
LML-0927A		<ul style="list-style-type: none"> LED Power: 27W Operating Voltage: 10-30V DC Waterproof rate: IP 67 9pcs*3w high intensity Epsitar LEDs Optional Color: Black,White Color Temperature: 6500K Material:Diecast aluminum housing Lens material:PMMA Opitonal Beam: 60 / 30 degree 30000 hours above life time Size: 128mm*110mm*55mm 	<ul style="list-style-type: none"> QTY: 20pcs/ctn N.W: 1kg/pcs CTN Size: 370*340*280mm Gross weight: 18KG
LML-0927B		<ul style="list-style-type: none"> LED Power: 27W Operating Voltage: 10-30V DC Waterproof rate: IP 67 9pcs*3w high intensity Epsitar LEDs Optional Color: Black,White Color Temperature: 6500K Material:Diecast aluminum housing Lens material:PMMA Opitonal Beam: 60 / 30 degree 30000 hours above life time Size: 128mm*110mm*55mm 	<ul style="list-style-type: none"> QTY: 20pcs/ctn N.W: 1kg/pcs CTN Size: 370*350*280mm Gross weight: 18KG

Item No	Picture	Description	PACKING
LML-0824A		<ul style="list-style-type: none"> LED Power: 24W Operating Voltage: 10-30V DC Waterproof rate: IP 67 9pcs*3w high intensity Epsitar LEDs Optional Color: Black,White Color Temperature: 6500K Material:Diecast aluminum housing Lens material:PMMA Opitonal Beam: 60 / 30 degree 30000 hours above life time Size: 128mm*110mm*45mm 	<ul style="list-style-type: none"> QTY: 20pcs/ctn N.W: 0.7kg/pcs CTN Size: 370*350*280mm Gross weight: 14KG
LML-0824B		<ul style="list-style-type: none"> LED Power: 24W Operating Voltage: 10-30V DC Waterproof rate: IP 67 9pcs*3w high intensity Epsitar LEDs Optional Color: Black,White Color Temperature: 6500K Material:Diecast aluminum housing Lens material:PMMA Opitonal Beam: 60 / 30 degree 30000 hours above life time Size: 128mm*110mm*45mm 	<ul style="list-style-type: none"> QTY: 20pcs/ctn N.W: 0.7kg/pcs CTN Size: 370*350*280mm Gross weight: 14KG
LML-0515		<ul style="list-style-type: none"> LED Power: 15W Operating Voltage: 10-30V DC Waterproof rate: IP 67 5pcs*3w high intensity Epsitar LEDs Optional Color: Black,White Color Temperature: 6000K Material:Diecast aluminum housing Lens material:PMMA Mounting Bracket: Stainless Steel Opitonal Beam: 60 degree 30000 hours above life time Size: 128mm*110mm*46mm 	<ul style="list-style-type: none"> QTY: 20pcs/ctn N.W: 0.7kg/pcs CTN Size: 320*290*290mm Gross weight: 14KG
LML-0515S		<ul style="list-style-type: none"> LED Power: 15W Operating Voltage: 10-30V DC Waterproof rate: IP 67 5pcs*3w high intensity Epsitar LEDs Optional Color: Black,White Color Temperature: 6000K Material:Diecast aluminum housing Lens material:PMMA Mounting Bracket: Stainless Steel Opitonal Beam: 30 degree 30000 hours above life time Size: 128mm*110mm*46mm 	<ul style="list-style-type: none"> QTY: 20pcs/ctn N.W: 0.7kg/pcs CTN Size: 320*290*290mm Gross weight: 14KG
LML-0618		<ul style="list-style-type: none"> LED Power: 18W Operating Voltage: 10-30V DC Waterproof rate: IP 67 5pcs*3w high intensity Epsitar LEDs Optional Color: Black,White Color Temperature: 6000K Material:Diecast aluminum housing Lens material:PMMA Mounting Bracket: Stainless Steel Opitonal Beam: 60 degree 30000 hours above life time Size: 128mm*116mm*48mm 	<ul style="list-style-type: none"> QTY: 20pcs/ctn N.W: 0.7kg/pcs CTN Size: 320*290*290mm Gross weight: 14KG

Item No	Picture	Description	PACKING
LML-0618S		<ul style="list-style-type: none"> LED Power: 18W Operating Voltage: 10-30V DC Waterproof rate: IP 67 5pcs*3w high intensity Epsitar LEDs Optional Color: Black,White Color Temperature: 6000K Material:Diecast aluminum housing Lens material:PMMA Mounting Bracket: Stainless Steel Opitonal Beam: 30 degree 30000 hours above life time Size: 128mm*116mm*48mm 	<p>QTY: 20pcs/ctn N.W: 0.7kg/pcs CTN Size: 320*290*290mm Gross weight: 14KG</p>
LML-1236		<ul style="list-style-type: none"> LED Power: 36W Operating Voltage: 10-30V DC Waterproof rate: IP 65 12pcs*3w high intensity Epsitar LEDs Optional Color: Black,White Color Temperature: 6000K Material:Diecast aluminum housing Lens material:Toughed glass Mounting Bracket: Alu firm bracket Opitonal Beam: 60 / 30 degree 30000 hours above life time Dimensions: 6 inch 	<p>PKG size: 330*180*150mm QTY: 6pcs/ctn N.W: 2kg/pcs CTN Size: 470*370*370mm Grossweight: 13KG</p>
LML-2472		<ul style="list-style-type: none"> LED Power: 72W Operating Voltage: 10-30V DC Waterproof rate: IP 65 24pcs*3w high intensity Epsitar LEDs Optional Color: Black,White Color Temperature: 6000K Material:Diecast aluminum housing Lens material:Toughed glass Mounting Bracket: Alu firm bracket Opitonal Beam: 60 / 30 degree 30000 hours above life time Dimensions: 12 inch 	<p>PKG size: 490*180*150mm QTY: 6pcs/ctn N.W: 3kg/pcs CTN Size: 510*480*370mm Grossweight: 19KG</p>
LML-40120		<ul style="list-style-type: none"> LED Power: 120W Operating Voltage: 10-30V DC Waterproof rate: IP 65 40pcs*3w high intensity Epsitar LEDs Optional Color: Black,White Color Temperature: 6000K Material:Diecast aluminum housing Lens material:Toughed glass Mounting Bracket: Alu firm bracket Opitonal Beam: 60 / 30 degree 30000 hours above life time Dimensions: 20 inch 	<p>PKG size: 690*180*150mm QTY: 6pcs/ctn N.W: 4kg/pcs CTN Size: 720*480*370mm Grossweight: 26KG</p>

Item No	Picture	Description	PACKING
LML-60180		<ul style="list-style-type: none"> LED Power: 180W Operating Voltage: 10-30V DC Waterproof rate: IP 67 60pcs*3w high intensity Epsitar LEDs Optional Color: Black,White Color Temperature: 6000K Material:Diecast aluminum housing Lens material:Toughed glass Mounting Bracket: Alu firm bracket Opitonal Beam: 60 / 30 degree 30000 hours above life time Dimensions:30 inch 	<p>PKG size: 950*180*150mm QTY: 4pcs/ctn N.W: 5.3kg/pcs CTN Size: 970*370*330mm Gross weight: 24KG</p>
LML-80240		<ul style="list-style-type: none"> LED Power: 240W Operating Voltage: 10-30V DC Waterproof rate: IP 67 80pcs*3w high intensity Epsitar LEDs Optional Color: Black,White Color Temperature: 6000K Material:Diecast aluminum housing Lens material:Toughed glass Mounting Bracket: Alu firm bracket Opitonal Beam: 60 / 30 degree 30000 hours above life time Dimensions:40 inch 	<p>PKG size: 1200*180*150 mm QTY: 4pcs/ctn N.W: 6.5kg/pcs CTN Size: 124*37*33cm Gross weight: 31KG</p>



Model	HS-4
Outer Size excluding antenna	100×47×30mm
Weight excluding batteries	110g
Power Supply	2×AAA batteries
Operating Range	≤100m
LED	3
Frequency	422.4~438MHz
Response Time	0.0001s
Housing Material	PA66
Protection Degree	IP65
Operating and Storage Temperature	-30℃ ~+80℃



Model	HS-6
Outer Size excluding antenna	100×47×30mm
Weight excluding batteries	110g
Power Supply	2×AAA batteries
Operating Range	≤100m
LED	3
Frequency	422.4~438MHz
Response Time	0.0001s
Housing Material	PA66
Protection Degree	IP65
Operating and Storage Temperature	-30℃ ~+80℃



Model	HS-Ra
Outer Size excluding antenna	130×95×52mm
Weight	500~550g
Power Supply	Variable(12~415V)
Operating Range	≤100m
LED	1



HS-F24-16S/D



HS-F24-4S/D



HS-F24-6S/D



HS-F24-8S/D



HS-F24-10S/D



HS-F24-12S/D



HS-F24-14S/D



HS-F24-16S/D



HS-F24-24S/D



Model	HS-8
Outer Size excluding antenna	155×65×45mm
Weight excluding batteries	300g
Power Supply	2×AA batteries
Operating Range	≤150m
LED	3
Frequency	422.4~438MHz
Response Time	0.0001s
Housing Material	PA66
Protection Degree	IP65
Operating and Storage Temperature	-30℃ ~+80℃



Model	HS-10
Outer Size excluding antenna	155×65×45mm
Weight excluding batteries	300g
Power Supply	2×AA batteries
Operating Range	≤150m
LED	3
Frequency	422.4~438MHz
Response Time	0.0001s
Housing Material	PA66
Protection Degree	IP65
Operating and Storage Temperature	-30℃ ~+80℃



Model	HS-Rb
Outer Size excluding antenna	130×95×52mm
Weight	500~550g
Power Supply	Variable(12~415V)
Operating Range	≤100m
LED	1



HS-F24-16S/D



HS-8D6



HS-10DB



F21-E1B



F23-A++
F23-BB

Aluminium Water Radiator

Type	Core structure	Tube size	Tube arrangement mode	Tube distance(mm)	Rous distance	Plate(fin)strudure	NO. of rows	Core thickness (mm)
Aluminium water radiator	tube-plate	16x2	strggered rows	11	20	non-window type	3/4/5	62/82/102
				10	20	non-window type	3/4/5	62/82/102
	tube-fin	16x2	straight rows	8.5/11	-	open window type 6.5/9mm	1	16/18
						trapezoidal belt	3/4/5/6	62/84/106/128
		26x2	-	10/11	30	open window type 7.5/10mm	1/2/3	26/56/86/116
		32x2	-	10/11	-	open window type 8/9mm	1	32/34
		16x2/26x2	-	10/11	25	open window type 8/9mm	Two kinds of tubes each kind on one rows	46/48
110x4	-	12	-	open window type 8mm	1	110		

Aluminium Oil Radiator

Type	Core structure	Tube size	Tube distance(mm)	Plate(fin)strudure	No. of rows	Core thir kness(mm)
Aluminium oil radiator	tube-fin	25x2 toothed harmonica	13	No window or no window wrinkle or with trapezoidal belt /height 8mm	1	25
		32x5 toothed harmonica	13			32
		41x6 toothed harmonica	14			41
		48x6 toothed harmonica	14			48
		56x6 toothed harmonica	14			56
		64x5 toothed harmonica	13			64
		110x5 toothed harmonica	13			110

Aluminium Charge-Air-Cooler

Type	Core structure	Tube size	Tube distance(mm)	cooling ribs structure	NO of rows	Core thickness(mm)
Aluminium charge-air-cooler	tube-fin	41x6 toothed harmonica	14	No window or no window wrinkle or with trapezoidal belt /height 8mm	1	41
		48x6 toothed harmonica	14			48
		56x6 toothed harmonica	14			56
		64x5 toothed harmonica	13			64
		64x8 toothed harmonica	16			64
		70x6 toothed harmonica	14			70
		110x6 toothed harmonica	14			110

Copper/Brass Water Radiator

Type	Core structure	Tube size	Tube arrangement mode	Tube distance(mm)	Rous distance (mm)	Plate(fin)strudure	NO. of rows	Core thickness (mm)	
Copper/ brass water radiator	tube-plate	18.7x2.5	strggered rows	12	21.8	open window type 0.08mm	3/4/5	68/90/111	
				13.5	21.3	open window type 0.07/0.08mm			
				9.5	21.3	non-window type			
			straight rows	10	23	non-window type	2/3/4/5/6		47/68/94/117/140
				12	23.1	non-window type	3/4		71/94
	tube-fin	14x2.5	strggered rows	12	17	non-window type wrinkle 0.07/0.08mm	3/4/5	54/71/88	
						open window type 0.07/0.08mm			
tube-fin	14x2.5	-	12.5	18	open window type 10mm	2/3/4/5	34/52/70/88		
	8x2	-	10	14	open window type 8mm	3/5/6/	38/66/76		



EGR cooler

The project of EGR is a kind of auto waste gas recirculation heat exchanger which are necessary system in the upgrading of the engine exhaust standard. Now several innovation patents and new applicable patents have been approved. The performance of the product have researched and even exceeded the OEM requirements.



Plate-fin high pressure oil radiator



Plate-fin high pressure oil radiator



Round tube aggregate flow high pressure oil radiator



Water series radiators for electricity generators



Series of water-oil radiators for combines, sea vessels, stablizing earth mixers, crushers and ground levelling machines



Oil radiators for engineering equipment



Horizontal-flow series tube-fin oil radiators

Applicable to oil cooling for loaders, road rollers, excavators, and transmissions



Water-oil combined radiators for engineering equipment



Water-oil combined radiators fo loaders



Water-oil combined radiators for engineering equipment



Bulldozer radiators

Water-oil combined radiators for rollers



Charge air coolers for vehicles



Water-oil combined radiators for excavators



Radiators for various types of vehicles



Vehicle heat exchanger modules



Water radiators for cars and vans



Radiators for various types of vehicles



Water radiators for trucks



Aluminum radiators

Combined copper radiators

